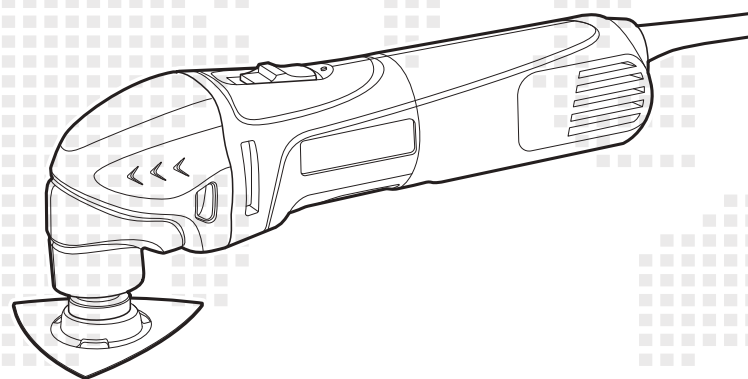




CROWN-PT_Man.CT16004_03.2019_V.1.0_INTL-06

CROWN
TOOLS FOR A BETTER LIFE

■ CT16004



Merit Link International AG
P.O. Box 641, CH-6855 Stabio
Switzerland
www.meritlink.com



en Original instructions
ru Оригинальное руководство по эксплуатации
kz Пайдалану нұсқаулығының түпнұсқасы

es Manual original
ar دليل المستخدم الأصلي
fa دفترچه راهنمای اصلی

1. GENERAL SAFETY RULES



WARNING! Read all safety warnings and all instructions. Failure to follow the warnings and instructions may result in electric shock, fire and/or serious injury.

Save all warnings and instructions for future reference.

The term "power tool" in the warnings refers to your mains-operated (corded) power tool or battery-operated (cordless) power tool.

1) Work area safety

- a) **Keep work area clean and well lit.** Cluttered or dark areas invite accidents.
- b) **Do not operate power tools in explosive atmospheres, such as in the presence of flammable liquids, gases or dust.** Power tools create sparks which may ignite the dust or fumes.
- c) **Keep children and bystanders away while operating a power tool.** Distractions can cause you to lose control.

2) Electrical safety

- a) **Power tool plugs must match the outlet. Never modify the plug in any way. Do not use any adapter plugs with earthed (grounded) power tools.** Unmodified plugs and matching outlets will reduce risk of electric shock.
- b) **Avoid body contact with earthed or grounded surfaces, such as pipes, radiators, ranges and refrigerators.** There is an increased risk of electric shock if your body is earthed or grounded.
- c) **Do not expose power tools to rain or wet conditions.** Water entering a power tool will increase the risk of electric shock.
- d) **Do not abuse the cord. Never use the cord for carrying, pulling or unplugging the power tool. Keep cord away from heat, oil, sharp edges or moving parts.** Damaged or entangled cords increase the risk of electric shock.
- e) **When operating a power tool outdoors, use an extension cord suitable for outdoor use.** Use of a cord suitable for outdoor use reduces the risk of electric shock.
- f) **If operating a power tool in a damp location is unavoidable, use a residual current device (RCD) protected supply.** Use of an RCD reduces the risk of electric shock. NOTE: The term "residual current device (RCD)" may be replaced by the term "ground fault circuit interrupter (GFCI)" or "earth leakage circuit breaker (ELCB)".

3) Personal safety

- a) **Stay alert, watch what you are doing and use common sense when operating a power tool. Do not use a power tool while you are tired or under the influence of drugs, alcohol or medication.** A moment of inattention while operating power tools may result in serious personal injury.
- b) **Use personal protective equipment. Always wear eye protection.** Protective equipment such as dust mask, non-skid safety shoes, hard hat, or hearing protection used for appropriate conditions will reduce personal injuries.
- c) **Prevent unintentional starting. Ensure the switch is in the off-position**

before connecting to power source and/or battery pack, picking up or carrying the tool. Carrying power tools with your finger on the switch or energising power tools that have the switch on invites accidents.

- d) **Remove any adjusting key or wrench before turning the power tool on.** A wrench or a key left attached to a rotating part of the power tool may result in personal injury.
- e) **Do not overreach. Keep proper footing and balance at all times.** This enables better control of the power tool in unexpected situations.
- f) **Dress properly. Do not wear loose clothing or jewellery. Keep your hair, clothing and gloves away from moving parts.** Loose clothes, jewellery or long hair can be caught in moving parts.
- g) **If devices are provided for the connection of dust extraction and collection facilities, ensure these are connected and properly used.** Use of dust collection can reduce dust-related hazards.
- h) **Do not let familiarity gained from frequent use of tools allow you to become complacent and ignore tool safety principles.** A careless action can cause severe injury within a fraction of a second.

4) Power tool use and care

- a) **Do not force the power tool. Use the correct power tool for your application.** The correct power tool will do the job better and safer at the rate for which it was designed.
- b) **Do not use the power tool if the switch does not turn it on and off.** Any power tool that cannot be controlled with the switch is dangerous and must be repaired.
- c) **Disconnect the plug from the power source and/or the battery pack from the power tool before making any adjustments, changing accessories, or storing power tools.** Such preventive safety measures reduce the risk of starting the power tool accidentally.
- d) **Store idle power tools out of the reach of children and do not allow persons unfamiliar with the power tool or these instructions to operate the power tool.** Power tools are dangerous in the hands of untrained users.
- e) **Maintain power tools. Check for misalignment or binding of moving parts, breakage of parts and any other condition that may affect the power tool's operation. If damaged, have the power tool repaired before use.** Many accidents are caused by poorly maintained power tools.
- f) **Keep cutting tools sharp and clean.** Properly maintained cutting tools with sharp cutting edges are less likely to bind and are easier to control.
- g) **Use the power tool, accessories and tool bits etc. in accordance with these instructions, taking into account the working conditions and the work to be performed.** Use of the power tool for operations different from those intended could result in a hazardous situation.
- h) **Keep handles and grasping surfaces dry, clean and free from oil and grease.** Slippery handles and grasping surfaces do not allow for safe handling and control of the tool in unexpected situations.

5) Service

- a) **Have your power tool serviced by a qualified repair person using only identical replacement parts.** This will ensure that the safety of the power tool is maintained.

2.MULTI TOOL SAFETY WARNINGS

- 1. This power tool is intended to function for sawing, cutting, grinding and sanding. Read all safety warnings, instructions, illustrations and specifications provided with this power tool.** Failure to follow all instructions listed below may result in electric shock, fire and/or serious injury.
- 2. Hold power tool by insulated gripping surfaces, when performing an operation where the cutting accessory may contact hidden wiring or its own cord.** Cutting accessory contacting a "live" wire may make exposed metal parts of the power tool "live" and could give the operator an electric shock.
- 3. Use clamps or another practical way to secure and support the workpiece to a stable platform.** Holding the work by hand or against your body leaves it unstable and may lead to loss of control.
- 4. Position the cord clear of the spinning accessory.** If you lose control, the cord may be cut or snagged and your hand or arm may be pulled into the spinning accessory.
- 5. Always use safety glasses or goggles. Ordinary eye or sun glasses are NOT safetyglasses.**
- 6. Avoid cutting nails. Inspect workpiece for any nails and remove them before operation.**
- 7. Hold the tool firmly.**
- 8. Make sure the application tool is not contacting the workpiece before the switch is turned on.**
- 9. Keep hands away from moving parts.**
- 10. Do not leave the tool running. Operate the tool. only when hand-held.**
- 11. Always switch off and wait for the blade to come to a complete stop before removing theblade from the workpiece.**
- 12. Do not touch the application tool or the workpiece immediately after operation; they may be extremely hot and could burn your skin.**
- 13. Do not operate the tool at no-load unnecessarily.**
- 14. Always use the correct dust mask/respirator for the material and application you are working with.**
- 15. Some material contains chemicals which may be toxic. Take caution to prevent dust inhalation and skin contact. Follow material supplier safety data.**
- 16. This tool has not been waterproofed, so do not use water on the workpiece surface.**
- 17. Ventilate your work area adequately when you perform sanding operations.**
- 18. Use of this tool to sand some products, e.g.leaded paint surfaces, wood and metals could expose user and bystanders to dust containing hazardous substances. Use appropriate respiratory protection.**
- 19. Be sure that there are no cracks or breakage on the pad before use. Cracks or breakage may cause a personal injury.**
- 20. Do not use accessories which are not specifically designed and recommended by the tool manufacturer.** Just because the accessory can be

attached to your power tool, it does not assure safe operation.

21. Wear personal protective equipment. Depending on application, use face shield, safety goggles or safety glasses. As appropriate, wear hearing protectors, gloves and workshop apron capable of stopping small abrasive or workpiece fragments. The eye protection must be capable of stopping flying debris generated by various operations. The dust mask or respirator must be capable of filtering particles generated by your operation. Prolonged exposure to high intensity noise may cause hearing loss.

22. Keep bystanders a safe distance away from work area. Anyone entering the work area must wear personal protective equipment. Fragments of workpiece or of a broken accessory may fly away and cause injury beyond immediate area of operation.

23. Never lay the power tool down until the accessory has come to a complete stop. The spinning accessory may grab the surface and pull the power tool out of your control.

24. Do not run the power tool while carrying it at your side. Accidental contact with the accessory could snag your clothing, pulling the accessory into your body.

25. Do not operate the power tool near flammable materials. Sparks could ignite these materials.

26. Do not use accessories that require liquid coolants. Using water or other liquid coolants may result in electrocution or shock.

27. Always be sure that the tool is switched off and unplugged before carrying out any work on the tool.

28. If working place is extremely hot and humid, or badly polluted by conductive dust, use a short-circuit breaker (30 mA) to assure operator safety.

29. Always be sure you have a firm footing. Be sure no one is below when using the tool in high locations.

3.SPECIFICATIONS

| | |
|--------------------------|----------------------------|
| Model | CT16004 |
| Frequency | 220-230V |
| Voltage | 50/60Hz |
| Rated voltage | 320W |
| No-load speed | 6000-2000min ⁻¹ |
| Sanding plate | 8mm (1/4") |
| No-load oscillation rate | 3.2° |
| Net weight | 1.68 |
| Safety class | Ⅱ/Ⅱ |

*Due to our continuing program of research and development, the specifications herein are subject to change without notice.

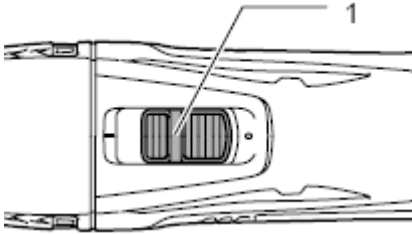
*Specifications may differ from country to country.

4.FUNCTIONAL DESCRIPTION



WARNING: Always be sure that the tool is switched off and unplugged before adjusting or checking function on the tool. Failure to switch off and unplug the tool may result in serious personal injury from accidental start-up.

Switch action

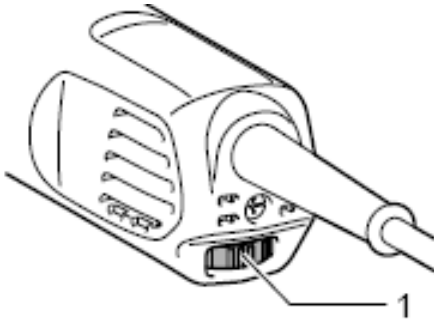


1. Slide switch

CAUTION:

- Before plugging in the tool, always check to see that the tool is switched off. To start the tool, slide the slide switch toward the "I (ON)" position. To stop the tool, slide the slide switch toward the "O(OFF)" position.

Adjusting the orbital stroke rate



1. Dial

The orbital stroke rate is adjustable. To change the orbital stroke rate, turn the dial between 1 and 5. The higher the number is, the higher the orbital stroke rate is. Preset the dial to the number suitable for your workpiece.

NOTE:

- The dial cannot be turned directly from 1 to 5 or from 5 to 1. Forcing the dial may damage the tool. When changing the dial direction, always turn the dial moving it through each intermediate number.

Constant speed control

Electronic speed control for obtaining constant speed.

Possible to get fine finish, because the orbital stroke rate is kept constant even under load condition.

ASSEMBLY



CAUTION:

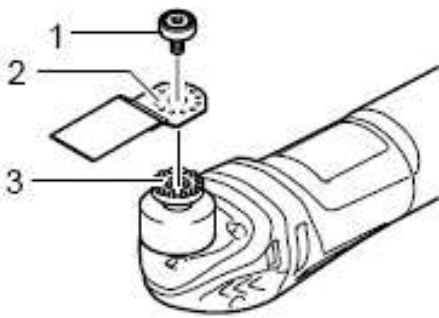
Always be sure that the tool is switched off and unplugged before carrying out any work on the tool. Installing or removing application tool (optional accessory)



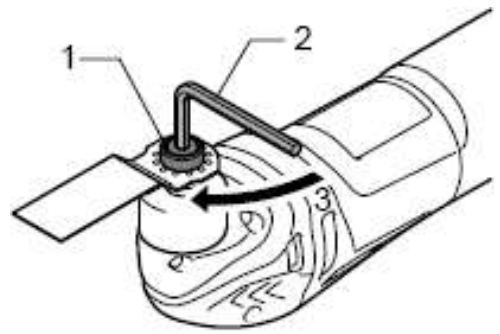
WARNING:

- Do not install application tool upside down. Installing application tool upside down may damage the tool and cause serious personal injury.

- Install attachment tool in the correct direction according to your work. Application tool can be installed at an angle of every 30 degree.



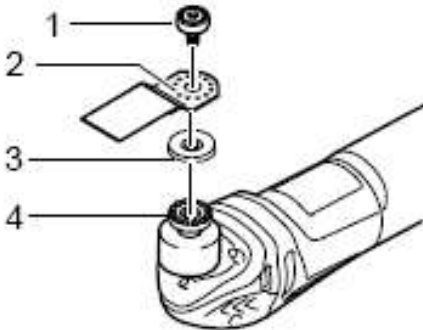
1. Application tool installation bolt
2. Holes in the application tool
3. Protrusions of the tool flange



1. Application tool installation bolt
2. Hex wrench
3. Tighten

Put an application tool (optional accessory) on the tool flange so that the protrusions of the tool flange fit in the holes in the application tool and secure the application tool by tightening the bolt firmly with the hex wrench. When using sanding application tool, mount the application tool on the sanding pad so that it matches the sanding pad direction. The sanding pad has a hook and loop type fitting system which allows easy and rapid fitting of a sanding paper.

As sanding papers have holes for dust extraction, mount a sanding paper so that the holes in a sanding paper match those in the sanding pad. To remove a sanding paper, raise its end and peel it off. Loosen and remove the application tool installation bolt using a hex wrench and then take off the application tool.



1. Application tool installation bolt
2. Holes in the application tool
3. Adapter
4. Protrusions of the tool flange

When using application tools with a different type of installation section, use a correct adapter (optional accessory).

OPERATION



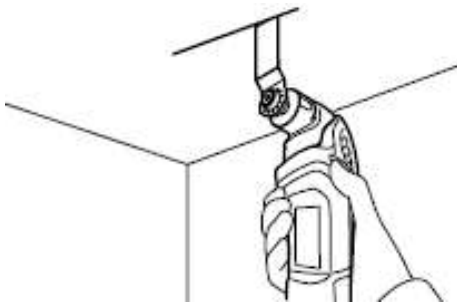
WARNING:

- Before starting the tool and during operation, keep your hand and face away from the application tool.



CAUTION:

- Do not apply excessive load to the tool which may cause a motor lock and stop the tool.



Put the application tool on the workpiece. And then move the tool forward so that the application tool movement does not slow down.

NOTE:

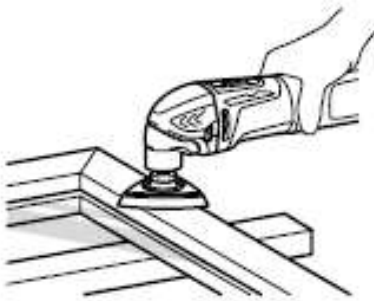
- Forcing or excessive pressure on the tool may reduce efficiency.
- Before cutting operation, it is recommended to preset the orbital stroke rate 3 - 5.

Sanding



CAUTION:

- Do not reuse a sanding paper used for sanding metal to sand wood.
- Do not use a worn sanding paper or sanding paper without grit.

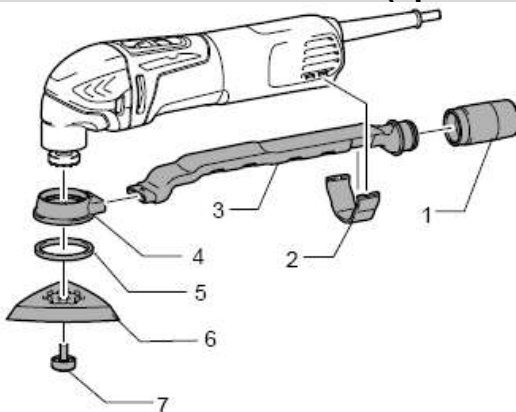


Apply a sanding paper on the workpiece.

NOTE:

- Using a test material sample to try is recommendable to determine a correct orbital stroke rate suitable for your work.
- Use a sanding paper with the same grit until sanding the whole workpiece is completed. Replacing a sanding paper with different grit sanding paper may not get a fine finish.

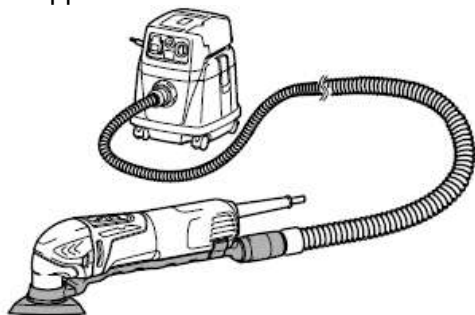
5. Dust extraction attachment(optional accessory)



1. Joint
2. Nozzle band
3. Dust nozzle
4. Dust attachment
5. Felt ring
6. Pad
7. Application tool installation bolt

- Install joint, dust nozzle and dust attachment.
- Install the nozzle band on the tool so that its protrusions fit in the holes in the tool to secure it.

- Put the felt ring and the sanding pad on the dust attachment and then secure them with the application tool installation bolt.



When you wish to perform cleaner operation, connect a vacuum cleaner to your tool. Connect a hose of vacuum cleaner to the dust extraction attachment (optional accessory).

MAINTENANCE



CAUTION:

- Always be sure that the tool is switched off and unplugged before attempting to perform inspection or maintenance.
- Never use gasoline, benzine, thinner, alcohol or the like. Discoloration, deformation or cracks may result. To maintain product SAFETY and RELIABILITY, repairs, carbon brush inspection and replacement, any other maintenance or adjustment should be performed by Authorized Service Centers, always using replacement parts

OPTIONAL ACCESSORIES



CAUTION:

- These accessories or attachments are recommended for use with your specified in this manual. The use of any other accessories or attachments might present a risk of injury to persons. Only use accessory or attachment for its stated purpose. If you need any assistance for more details regarding these accessories, ask your local Service Center.

- | | | |
|------------------------|------------------------|---|
| • Segment saw blade | • General joint cutter | • Adapter |
| • Round saw blade | • HM remover | • Abrasive paper delta (red / white / black) |
| • Plunge cut saw blade | • HM seg saw blade | • Fleece delta (medium / coarse / without grit) |
| • Scraper (rigid) | • HM sanding plate | • Polishing felt delta |
| • Scraper (flexible) | • Diamond seg sawblade | • Hex wrench |
| • Serrated seg blade | • Sanding pad | • Dust extraction attachment |

NOTE:

- Some items in the list may be included in the tool package as standard accessories. They may differ from country to country

1. Общие правила безопасности



ПРЕДУПРЕЖДЕНИЕ! Прочтите все предупреждения о безопасности и все инструкции. Несоблюдение предупреждений и инструкций может привести к поражению электрическим током, пожару и / или серьезной травме. **Сохраните все предупреждения и инструкции для дальнейшего использования.**

Термин «электроинструмент» в предупреждениях относится к вашему электроинструменту с питанием от сети (шнур) или к электроинструменту с батарейным питанием (беспроводной).

1) Безопасность рабочей зоны

- a) **Держите рабочую зону чистой и хорошо освещенной.** Загрязненные или темные области предлагают несчастные случаи.
- b) **Не используйте электроинструменты во взрывоопасных средах, например, в присутствии легковоспламеняющихся жидкостей, газов или пыли.** Электроинструменты создают искры, которые могут воспламенить пыль или пары.
- c) **Держите детей и прохожих во время работы с электроинструментом.** Отвлекающие факторы могут привести к потере контроля.

2) Электрическая безопасность

- a) **Штепсели электроинструмента должны соответствовать розетке. Никогда не изменяйте штепсель каким-либо образом. Не используйте адаптеры с заземленными электроинструментами.** Немодифицированные штепсели и соответствующие розетки уменьшают риск поражения электрическим током.
- b) **Избегайте контакта тела с заземленными или заземленными поверхностями, такими как трубы, радиаторы, диапазоны и холодильники.** Существует повышенный риск поражения электрическим током, если ваше тело заземлено или заземлено.
- c) **Не подвергайте электроинструмент воздействию дождя или влажности.** Вода, попадающая в электроинструмент, повысит риск поражения электрическим током.
- d) **Не злоупотребляйте шнуром. Никогда не используйте шнур для переноски, вытягивания или отсоединения электроинструмента. Держите шнур от тепла, масла, острых краев или движущихся частей.** Поврежденные или запутанные шнуры повышают риск поражения электрическим током.
- e) **При работе с электроинструментом на открытом воздухе используйте удлинитель, предназначенный для наружного использования.** Использование шнура, подходящего для использования на открытом воздухе, снижает риск поражения электрическим током.
- f) **Если работа электроинструмента во влажном месте неизбежна, используйте источник защиты от остаточного тока (RCD).** Использование УЗО снижает риск поражения электрическим током.

ПРИМЕЧАНИЕ. Термин «устройство остаточного тока (RCD)» может быть заменен термином «прерыватель цепи замыкания на землю (GFCI)» или «выключатель утечки на землю» (ELCB)».

3) Личная безопасность

- a) **Будьте внимательны, следите за тем, что вы делаете, и пользуйтесь здравым смыслом при работе с электроинструментом. Не используйте электроинструмент во время усталости или под воздействием наркотиков, алкоголя или медикаментов.** Момент невнимания при работе электроинструмента может привести к серьезной травме.
- b) **Использовать средства индивидуальной защиты.** Всегда надевайте защитные очки. Защитное оборудование, такое как пылезащитная маска, нескользящая защитная обувь, каски или защита слуха, используемые для соответствующих условий, уменьшат травмы.
- c) **Предотвращение непреднамеренного запуска. Перед подключением к источнику питания и / или батарейному блоку убедитесь, что переключатель находится в положении «выключено», подхват или перенос инструмента.** Перенос электроинструментов пальцем на выключатель или включение электроинструментов с включенным выключателем вызывает несчастные случаи.
- d) **Перед включением электроинструмента снимите любой ключ регулировки или ключ.** Ключ или ключ, прикрепленный к вращающейся части электроинструмента, могут привести к травме.
- e) **Не перегружайтесь. Поддерживайте надлежащую опору и баланс в любое время.** Это позволяет лучше контролировать электроинструмент в неожиданных ситуациях.
- f) **Платье должным образом. Не надевайте свободную одежду или украшения. Держите волосы, одежду и перчатки вдали от движущихся частей.** Свободные одежды, ювелирные изделия или длинные волосы можно поймать в движущихся частях.
- g) **Если для подключения пылеулавливающих и сборных устройств предусмотрены устройства, убедитесь, что они подключены и правильно использованы.** Использование пылеулавливания может уменьшить опасность, связанную с пылью.
- h) **Не позволяйте знакомым, полученному при частом использовании инструментов, позволить вам стать самодовольным и игнорировать принципы безопасности инструмента.** Небрежное действие может нанести серьезную травму в течение секунды.

4) Использование и уход за электроинструментом

- a) **Не нажимайте на электроинструмент.** Используйте подходящий электроинструмент для вашего приложения. Правильный электроинструмент сделает работу лучше и безопаснее со скоростью, для которой он был разработан.
- b) **Не используйте электроинструмент, если выключатель не включается и выключается.** Любой электроинструмент, который не

может управляться с помощью переключателя, опасен и должен быть отремонтирован.

- c) **Перед выполнением любых регулировок, заменой принадлежностей или хранением электроинструмента отсоедините штекер от источника питания и/или аккумуляторной батареи от электроинструмента.** Такие предупредительные меры безопасности уменьшают риск случайного запуска электроинструмента.
- d) **Храните холостые электроинструменты в недоступном для детей месте и не позволяйте лицам, незнакомым с электроинструментом, или данным инструкциям работать с электроинструментом.** Электроинструменты опасны в руках неподготовленных пользователей.
- e) **Поддерживайте электроинструменты. Проверьте несоосность или привязку движущихся частей, поломку деталей и любые другие условия, которые могут повлиять на работу электроинструмента. В случае повреждения отремонтируйте электроинструмент перед использованием.** Многие несчастные случаи вызваны плохо поддерживаемыми электроинструментами.
- f) **Держите режущие инструменты острыми и чистыми.** Правильно поддерживаемые режущие инструменты с острыми режущими кромками менее склонны связываться и легче контролировать.
- g) **Используйте электроинструмент, принадлежности, биты инструментов и т. д. в соответствии с этими инструкциями, с учетом условий работы и выполняемой работы.** Использование электроинструмента для операций, отличных от предназначенных, может привести к опасной ситуации.
- h) **Держите ручки и захватывающие поверхности сухими, чистыми и свободными от масла и смазки.** Скользкие ручки и захватывающие поверхности не позволяют безопасно управлять и контролировать инструмент в неожиданных ситуациях.

5) Обслуживание

- a) **Попросите вашего электроинструмента обслуживать квалифицированного специалиста по ремонту, используя только идентичные запасные части.** Это обеспечит поддержание безопасности электроинструмента.

2. ПРЕДУПРЕЖДЕНИЯ О БЕЗОПАСНОСТИ МНОГОСТОРОННИХ ИНСТРУМЕНТОВ

1. Этот электроинструмент предназначен для работы с распиловкой, резкой, шлифованием и шлифованием. Прочтите все предупреждения о безопасности, инструкции, иллюстрации и спецификации, прилагаемые к этому электроинструменту. Несоблюдение всех приведенных ниже инструкций может привести к поражению электрическим током, пожару и / или серьезной травме.

2. **Держите электроинструмент изолированными захватными поверхностями при выполнении операции, в которой режущий аксессуар может соприкасаться с скрытой проводкой или собственным шнуром.** Режущий аксессуар, контактирующий с «живым» проводом, может сделать

открытые металлические детали электроинструмента «живыми» и может привести к поражению электрическим током.

3. Используйте зажимы или другой практический способ крепления и поддержки заготовки на устойчивой платформе. Удержание работы вручную или против вашего тела оставляет ее нестабильной и может привести к потере контроля.

4. Поместите шнур в сторону от вращающегося аксессуара. Если вы потеряете контроль, шнур может быть вырезан или зацепился, и ваша рука или рука могут быть втянуты в спиннинг-аксессуар.

5. Всегда используете защитные очки или защитные очки. Обычные очки или солнцезащитные очки НЕ являются защитными очками.

6. Избегаете резки гвоздей. Осмотрите заготовку для любых гвоздей и удалите их перед началом работы.

7. Удерживаете инструмент.

8. Подтверждаете, что инструмент приложения не контактирует с заготовкой до включения выключателя.

9. Держите руки подальше от движущихся частей.

10. Не оставляете инструмент включенным. Управляете инструментом. Только при ручном хранении.

11. Всегда выключаете и дожидаетесь, когда лезвие полностью остановится, прежде чем снимать клинок с заготовки.

12. Не прикасаетесь к инструменту или заготовке сразу после операции; они могут быть очень горячими и могут сжигать вашу кожу.

13. Не используете инструмент без нагрузки без необходимости.

14. Всегда используете правильную пылезащитную маску/респиратор для материала и применения, с которыми вы работаете.

15. В некоторых материалах содержатся химические вещества, которые могут быть токсичными. Соблюдаете осторожность, чтобы предотвратить вдыхание пыли и контакт с кожей. Соблюдаете данные безопасности поставщика материалов.

16. Этот инструмент не был гидроизолирован, поэтому не используете воду на поверхности заготовки.

17. Хорошо проветрите рабочую зону при выполнении шлифовальных операций.

18. Использование этого инструмента для песка некоторых продуктов, например, окрашенных поверхностей краски, дерева и металлов, может подвергать пользователя и прохожих пыли, содержащей опасные вещества. Используете соответствующую респираторную защиту.

19. Перед использованием подтверждаете, что на подушке нет трещин или поломки. Трещины или поломки могут стать причиной травмы.

20. Не используете принадлежности, которые специально не разработаны и не рекомендованы производителем инструмента. Просто потому, что аксессуар можно прикрепить к электроинструменту, он не гарантирует безопасную работу.

21. Наденьте средства индивидуальной защиты. В зависимости от применения используете щиток для лица, защитные очки или защитные

- очки. При необходимости надевайте защитные средства для слуха, перчатки и фартук для мастерских, способных останавливать небольшие фрагменты абразивных материалов или заготовки.** Защита глаз должна быть способна останавливать летающий мусор, создаваемый различными операциями. Пылезащитная маска или респиратор должны быть способны фильтровать частицы, образующиеся при вашей работе. Длительное воздействие высокой интенсивности шума может привести к потере слуха.
- 22. Держите свидетелей на безопасном расстоянии от рабочей зоны. Любой, кто входит в рабочую зону, должен носить средства индивидуальной защиты.** Осколки заготовки или сломанного аксессуара могут улететь и наносить урон за пределы зоны действия.
- 23. Никогда не кладите электроинструмент вниз, пока аксессуар не остановится полностью.** Спиннинг-аксессуар может захватить поверхность и вытащить электроинструмент из-под вашего контроля.
- 24. Не запускаете электроинструмент, неся его сбоку. Случайный контакт с аксессуаром может зацепить вашу одежду, потянув аксессуар в ваше тело.**
- 25. Не используете электроинструмент вблизи легковоспламеняющихся материалов. Искры могут воспламенить эти материалы.**
- 26. Не используете аксессуары, для которых требуются жидкие охлаждающие жидкости.** Использование воды или других жидких хладагентов может привести к поражению электрическим током или ударам.
- 27. Всегда следите за тем, чтобы инструмент был выключен и отсоединен, прежде чем выполнять какие-либо работы с инструментом.**
- 28. Если рабочее место чрезвычайно жаркое и влажное или плохо загрязнено проводящей пылью, используйте автоматический выключатель (30mA) для обеспечения безопасности оператора.**
- 29. Всегда будьте уверены, что у вас твердая основа.** Подтверждаете, что ни один из них не находится ниже при использовании инструмента в высоких местах.

3.ТЕХНИЧЕСКИЕ ХАРАКТЕРИСТИКИ

| | |
|--------------------------------|----------------------------|
| Модель | СТ16004 |
| Частота | 220-230V |
| Напряжение | 50/60Hz |
| Номинальное напряжение | 320W |
| Нет скорости загрузки | 6000-2000min ⁻¹ |
| Шлифовальная доска | 8mm (1/4") |
| Частота колебаний без нагрузки | 3.2° |
| Вес нетто | 1.68 |
| Класс безопасности | Paз/II |

*В связи с нашей продолжающейся программой исследований и разработок, характеристики здесь могут быть изменены без предварительного уведомления.

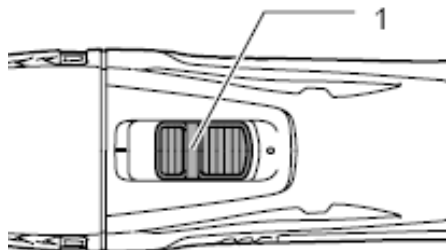
*Спецификации могут отличаться в разных странах

4. ФУНКЦИОНАЛЬНОЕ ОПИСАНИЕ



ПРЕДУПРЕЖДЕНИЕ: Всегда проверяете, чтобы инструмент был выключен и отсоединен, прежде чем настраивать или проверять функцию на инструменте. Несоблюдение этого требования может привести к серьезным травмам при случайном запуске.

Действие переключателя

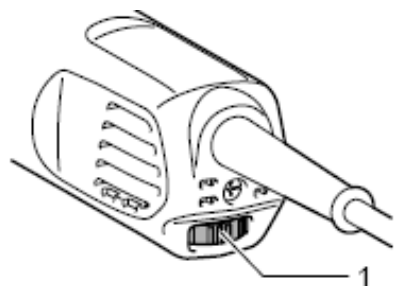


1. Скользящий переключатель

ВНИМАНИЕ:

• Перед подключением инструмента всегда проверяете, чтобы инструмент был выключен. Чтобы запустить инструмент, сдвиньте переключатель в положение «I (ON)». Чтобы остановить инструмент, сдвиньте ползунковый переключатель в положение «O (OFF)».

Регулировка скорости орбитального удара



1. Циферблат

Скорость орбитального удара регулируется. Чтобы изменить скорость орбитального удара, поверните циферблат между 1 и 5. Чем выше число, тем выше скорость орбитального удара. Установите диск на номер, подходящий для вашей заготовки.

ЗАМЕТКА:

• Циферблат нельзя поворачивать напрямую от 1 до 5 или от 5 до 1. Принуждение диска может повредить инструмент. При изменении направления набора номера всегда поворачиваете циферблат, перемещая его по каждому промежуточному номеру.

Постоянное управление скоростью

Электронное управление скоростью для получения постоянной скорости. Возможно получить прекрасную отделку, потому что скорость орбитального хода поддерживается постоянной даже в условиях нагрузки.

СБОРКА



ВНИМАНИЕ:

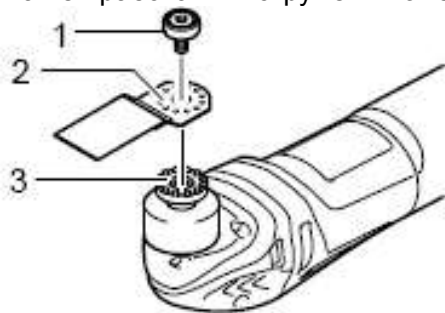
Всегда следите за тем, чтобы инструмент был выключен и отсоединен, прежде чем выполнять какие-либо работы с инструментом. Установка или удаление инструмента приложения (дополнительная принадлежность)



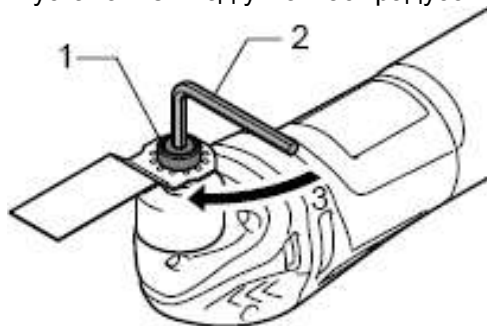
ПРЕДУПРЕЖДЕНИЕ:

• Не устанавливаете приложение вверх ногами. Установка инструмента приложения вверх ногами может привести к повреждению инструмента и серьезной травме.

• Установите инструмент крепления в правильном направлении в соответствии с вашей работой. Инструмент может быть установлен под углом 30 градусов.



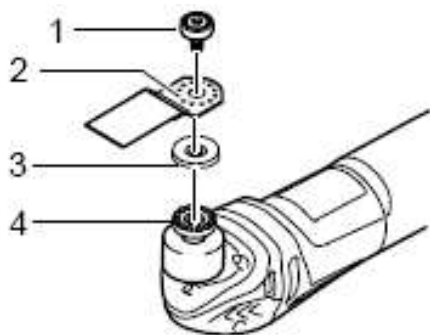
1. Установочный болт монтажного инструмента
2. Отверстия в инструменте приложения
3. Выступы фланца инструмента



1. Установочный болт монтажного инструмента
2. Шестигранный ключ
3. Затянуть

Поместите инструмент инструмента (дополнительный аксессуар) на фланец инструмента так, чтобы выступы инструментального фланца входили в отверстия в инструменте приложения и закрепляли приложение инструмента, плотно затянув болт с помощью шестигранного ключа. При использовании инструмента для нанесения на шлифовальный инструмент установите инструмент для нанесения на шлифовальную подушку так, чтобы он соответствовал направлению шлифовальной подушки. На шлифовальной подушке имеется система крепления крюка и петли, которая позволяет легко и быстро устанавливать шлифовальную бумагу.

В качестве шлифовальных бумаг имеются отверстия для пылеулавливания, установите шлифовальную бумагу так, чтобы отверстия в шлифовальной бумаге соответствовали отверстиям на шлифовальной подушке. Чтобы удалить шлифовальную бумагу, поднимите ее и очистите. Ослабьте и снимите установочный болт инструмента приложения с помощью шестигранного ключа, а затем снимите инструмент приложения.



1. Установочный болт монтажного инструмента
2. Отверстия в инструменте приложения
3. Адаптер
4. Выступы инструментального фланца

При использовании инструментов приложения с различным типом установки используете правильный адаптер (дополнительный аксессуар).

РАБОТА



ПРЕДУПРЕЖДЕНИЕ:

- Перед запуском инструмента и во время работы держите руку и лицо подальше от инструмента приложения.



ВНИМАНИЕ:

- Не наносите чрезмерную нагрузку на инструмент, который может вызвать блокировку двигателя и остановить инструмент.



Поместите инструмент приложения на заготовку. Затем переместите инструмент вперед, чтобы движение инструмента приложения не замедлялось.

ЗАМЕТКА:

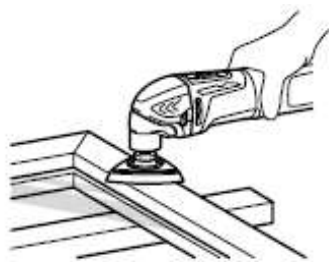
- Принуждение или чрезмерное давление на инструмент может снизить эффективность.
- Перед началом операции резания рекомендуется установить скорость орбитального хода 3 - 5.

Шлифование



ВНИМАНИЕ:

- Не используете повторно шлифовальную бумагу, используемую для шлифования металла в песок.
- Не используете изношенную шлифовальную бумагу или шлифовальную бумагу без песка.



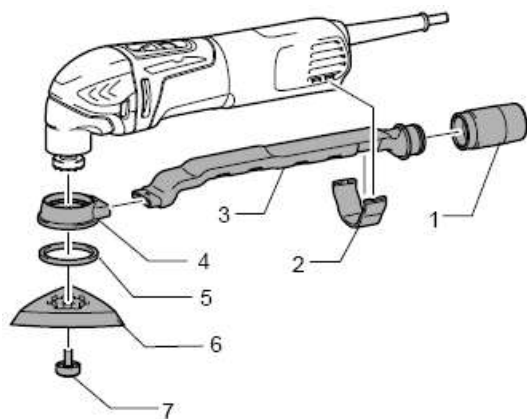
Нанесите шлифовальную бумагу на заготовку.

ЗАМЕТКА:

• С помощью образца испытуемого материала, чтобы попробовать, рекомендуется определить правильную скорость орбитального удара, подходящую для вашей работы.

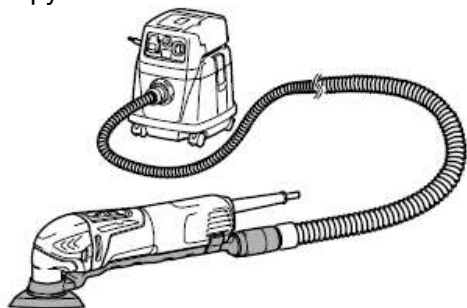
- Используйте шлифовальную бумагу с тем же зерном, пока шлифовка всей детали не будет завершена. Замена шлифовальной бумаги на другую шлифовальную бумагу для шлифовки может не получить прекрасной отделки.

5. Пылеулавливающее приспособление (дополнительная принадлежность)



1. Соединение
2. Сопловая полоса
3. Пылесос
4. Пылезащитное приспособление
5. Кольцо из войлока
6. Подкладка
7. Установочный болт монтажного инструмента

- Установите сустав, пылесос и пылесос.
- Установите насадку на инструмент так, чтобы его выступы вставлялись в отверстия в инструменте, чтобы зафиксировать его.
- Поместите войлочное кольцо и шлифовальную подушку на пылесборное устройство, а затем закрепите их установочным болтом для инструментального инструмента.



Когда вы хотите выполнить более чистую работу, подключите пылесос к вашему инструменту. Подсоедините шланг пылесоса к устройству для удаления пыли (дополнительная принадлежность).

ПОДДЕРЖАНИЕ



ВНИМАНИЕ:

• Всегда проверяете, чтобы инструмент был отключен и отсоединен, прежде чем пытаться выполнить осмотр или техническое обслуживание.

• Никогда не используете бензин, бензин, растворитель, спирт или тому подобное. Это может привести к обесцвечиванию, деформации или трещинам. Для поддержания продукта БЕЗОПАСНОСТЬ И НАДЕЖНОСТЬ, ремонт, осмотр и замена угольной щетки, любое другое техническое обслуживание или регулировка должно выполняться авторизованными сервисными центрами, всегда используя запасные части.

ДОПОЛНИТЕЛЬНЫЕ АКСЕССУАРЫ



ВНИМАНИЕ:

• Эти аксессуары или насадки рекомендуются для использования с указанными в этом руководстве. Использование любых других принадлежностей или принадлежностей может представлять опасность получения травмы людьми. Используйте только аксессуар или приспособление для заявленной цели. Если вам нужна помощь для получения дополнительной информации об этих аксессуарах, обратитесь в местный сервисный центр.

• Сегмент пильного диска

• Общие совместные резаки

• Адаптер

• Круглый пильный диск

• НМ-съемник

• Дельта абразивной бумаги (красный / белый / черный)

• Врезной пильный диск

• НМ-пильное полотно

• Флисовая дельта (средняя / грубая / без песка)

• Скребок (жесткий)

• НМ-шлифовальная пластина

• Полированная войлочная дельта

• Скребок (гибкий)

• Алмазный сегмент

• Шестигранный ключ

• Зазубренный зуб

• Шлифовальная платформа

• Пылеудаление

ЗАМЕТКА:

• Некоторые элементы в списке могут быть включены в пакет инструментов в качестве стандартных аксессуаров. Они могут отличаться от страны к стране.

1. Жалпы қауіпсіздік ережелері



Ескерту: барлық қауіпсіздік нұсқаулықтарын және барлық түсіндірмелерді оқып шығыңыз. Ескертулер мен нұсқауларды орындамау электр тогының соғуына, өртке және / немесе ауыр жарақатқа әкелуі мүмкін. **Барлық ескертулер мен нұсқауларды сақтаңыз, болашақта пайдалану үшін.** Ескертудегі «электр құралы» термині негізгі қуат жетегіне қатысты (сымды) электр құралдары немесе батареямен жұмыс істейтін (сымсыз) электр құралдарын көрсетеді.

1) Жұмыс кеңістігінің қауіпсіздігі

а) Жұмыс районының таза және жарық болуын қадағалаңыз. Қалаймақан немесе қараңғы орында партылау Уақиғасы көп туылады.

б) Оңай оталғыш заттар бар ортада (мысалы, оңай партылайтын сұйықтық, газ немесе шаң-тозаңды орта) электр құралын қолданбаңыз. электр құралы от ұшқындары шашырайды, бұл өрт тудыруы немесе іс пайда қылуы мүмкін.

с) Электр құралын қолданғанда, балалар мен көрермендерден алыс болыңыз. Мұқиятсыздық сізге бақылауды жоғалтуға әкелуі мүмкін.

2) Электр құрал қауіпсіздігі

а) Электр құралының ашасы розеткаға сай болуы керек. Ашаны ешқашан ешбір жағдайда өзгертпеңіз. Жерлендірілген электр құралдарымен адаптердің ешбірін қатар қолданбаңыз. Модификацияланған қосқыштар және сәйкес келетін розеткалар ток соғу қаупін азайтады.

б) Жерлендірілген беттермен (құбырлар, радиаторлар, тоңазытқыштар және т.б.) байланыста болыңыз. Егер сіздің денеңіз жерге тыйсетін болса, электр тогының соғу қаупін арттырады.

с) Электр құралдарын жаңбырға немесе ылғалға ұшыратпаңыз. Электр құралы суға енсе, электр тогының соғу қаупін арттырады.

д) Қуат сымын албаты пайдаланбаңыз. Электр құралдарының штепселдерін тасымалдауға, тартуға немесе ашалы сұғылманы тоғтан айыруға болмайды. Егер сым зақымдалған немесе быр-біріне маталған болса, ток соғу қаупі артады.

е) Электр құралын ашық жерде қолданғанда, сыртқа қолдануға жарамды ұзартқыш сымын қолданыңыз. Сыртта пайдалану үшін қолайлы сымды қолдану электр тогының соғу қаупін азайтады.

ф) Электр құралын дымқыл ортада пайдаланудан сақтануға болмаса, қуат көзін қорғау үшін қалдық ток құрылғысын (RCD) пайдаланыңыз. RCD пайдалану электр тогының соғу қаупін төмендетеді. Ескерту: «Қалдық тоғ ағыны қондырғы (RCD)» термині «Жерге жалғану кінәратынан қорғайтын сөндіргіш (GFCI)» немесе «Тоғ қашуды тұйықтауға арналған сөндіргіш (ELCB)» терминімен ауыстырылуы мүмкін.

3) Жеке қауіпсіздік

а) Электр құралын қолданған кезде сергек болыңыз, не істеп жатқаныңызға назар аударыңыз және құралды істету шараларынан сауатты болыңыз.

Шаршағанда немесе дәрі, әлкөгөл тұтынғанда немесе дары-дәрмектермен емделіп жүргенде электр құралдарын пайдаланбаңыз. Электр құралын қолданғанда, назарыңызды шоғырландырмасаңыз ауыр жарақат алуыңыз мүмкін.

b) Жеке қорғану құралдарын пайдаланыңыз. Өрқашан көзді қорғау құралдарын пайдаланыңыз. Тиісті жағдайларда қолданылатын қорғаныс жабдығы (шаңнан қорғайтын мәскө, тайғанаудан сақтайын аяқ киім, қауіпсіздік малақайы, құлақ қорғауыш) жарақаттануды азайтады.

c) Электр құралы кездейсоқ оталып кетуінен сақтаныңыз. Қуат көзін және / немесе аккумуляторды қосқанда құралды көтеруге, жөткеуге тура келсе қосқыш кінөпкәсінің сондырулы орында болуын мұқият қадағалаңыз. Электр құралын көтергенде саусағыңызды қосқышқа қойсаңыз немесе электр құралын зарядтау кезінде қосқышты қоссаңыз, бұл апатқа әкеледі.

d) Электр құралын оталдыру алдында реттеу кінөпкәсін немесе тұтқасын алып тастаңыз. Электр құралдың айналдыру бөлігіне бекітілген кінөпкә немесе кінөпкәсі жарақатқа себеп болуы мүмкін.

e) Ауқымнан асырмаңыз. Әрдайым аяқтарыңа назар аударып, денеңді теңгерімде ұстаңыз. Бұл электр құралын күтпеген жағдайларда басқаруға мүмкіндік береді.

f) Дұрыс орналастыру. Кең киім кимеңіз мен зергерлік бұйымдарды тақпаңыз. Шаш, ким және қолғаптарды құралдың айналстағы болымынан алыс ұстаңыз. Денеңіздегі зергерлік бұйымдары немесе ұзын шаш құралдың қозғалстағы бөлегіне тұсып кетуі мүмкін.

g) Егер шаң сору және шаң жинау құрылғылары қосылса, дұрыс жалғануын қадағалаңыз және дұрыс пайдаланылғанына көз жеткізіңіз. Шаң жинау құрылғысын қосып қолдану, шаң тозаңның зақымынан қорғайды.

h) Электр құралды көп қолданып жүргеніңіз үшін құралды қауіпсіз пайдалану принциптеріне мұқияттылығыңызды жоғалтпаңыз. Жұмсқа назар аудармау келер минотта өміріңізге қауіп тудыруы мүмкін.

4) Электр құралдарын пайдалану және техникалық күтімдеу

a) Электр құралдарын беталды пайдаланбаңыз. Озыңыздың қажетыңызге қарай қолдануға арналған дұрыс электр құралын пайдаланыңыз. Электр құралдарының жобаланған жылдамдығы бойынша дұрыс електір құрылғысын таңдап пайдалану сіздің жұмысыңызды тыйымды әрі хауыпсыз болады.

b) Коммутатор электр құралын оталдырып немесе сөндіре алмаса, электр құралдарын қолданбаңыз. Коммутатор арқылы басқарылмайтын электр құралы қауіпті және жөнделуі керек.

c) Кез келген реттеу жүргізгенде, аксессуарды өзгерткенде немесе электр құралын қызыметтен тоқтатып сақтаудан сақтаудан бұрын, электр құралының ашасын қуат көзінен және/немесе бәтәрейә жинағынан ажыратыңыз. Мұндай алдын алу шаралары электр құрал-жабдықтарын кездейсоқ іске қосу қауіпін азайтады.

d) Жұмыс істемейтін электр құралы балалардың қолы жетпейтін жерде сақталуы керек, және электр құралын пайдалану бойынша осы нұсқаулықпен

таныс емес адамдар электр құралмен жұмыс істемесі. Электр құралы ын пайдалануды үйренбеген адамдардың пайдалануына болмайды, өте қауіпті.

е) **Электр құралдарын күтімдеу.** Қозғалатын бөліктердің тураланған немесе жалғанғанын тексеріңі, запчастары сынған немесе электр құралының жұмысына әсер етуі мүмкін кез-келген басқа жағдайды мұқият қадағалаңыз. Егер зақымдалған бөлшектер байқалса, құралды пайдаланудан бұрын жүндетіңіз. Көптеген апаттар аспапты жақсылап жөндемеуден келіп шығады.

ғ) Кесу құралын өткір және таза ұстаңыз. Кесу құралының кесу жүзі өткір лайықты күтімделсе, жұмыс іркіліксіз болады, қысылмайды, басқару оңай болады.

г) Осы нұсқаулыққа сәйкес электр құралдарын, аксессуарларды, кескіш бастарды және т.б. қолданыңыз. Сонымен бірге, қызымет шарт жағдайын және орындалатын жұмыстар да назарға алынуы тиіс. Сонымен бірге, қызымет шарт жағдайын және орындалатын жұмыстар да назарға алынуы тиіс. электр құралдарын жобалануынан басқа орынға қолданғанда апат тудыруы мүмкін.

h) Тұтқа және тұтқа беті құрғақ, таза және майланбаған болуы керек. Төтенше жағдай туылғанда, беті майланған қолға қолайсыз тұтқадан пайдаланып құралды басқаруға болмайды.

5) Техникалық жөндеу

а) Электр құралыңызды білікті мамандарға жөндетуіңіз керек. Бұл электр құралының қауіпсіздігін қамтамасыз етеді.

2. Көп функциялы құралдың қауіпсіздік ескертуі

1. **Бұл электр құралы негізінен аралау, кесу, майдалау және тегістеу операцияларында қолданылады.** Осы электр құралымен бірге берілген барлық қауіпсіздік нұсқаулықтарын, түсіндірмелерін, ескертпелері мен техникалық сипаттамаларын оқып шығыңыз. Төмендегі нұсқаулардың барлығын орындамау электр төгінің соғуына, өртке және / немесе ауыр жарақатқа әкелуі мүмкін.

2. **Жасырын сыммен немесе оның сымымен байланысқа түсетін кескіш тіректі пайдалану кезінде электр құралын оқшаулағыш қысқыш бетімен ұстаңыз.** «Төк өткен» сымдардың кескіш бөлшегі электр аспаптың ашық тұрған метал бөлшектеріне тыйскен болуы мүмкін, сонымен төк соғу мүмкін.

3. Қысқыштарды немесе басқа ықтимал әдістерді қолданып, бөлшек бекіткіш және тіреушті тұрақты платформаға Бекітіңіз. Қолымен ұстап немесе денеңізге тіреп бөлшекті орнықты ұстау қиын, бәлкім контролдай алмауыңыз мүмкін.

4. **Сымды айналмалы бөлшектерден аулақ ұстаңыз.** Егер контролды жоғалтсаңыз, сымды кесіп алуыңыз немесе іліп алуыңыз мүмкін, бәлкім қолыңыз немесе білегіңіз аспаптың айналып тұрған бөлшектеріне тұсып кетуі мүмкін.

5. **Қауіпсіздік көзілдірігін немесе көз нұрын қорғау әшкиін киңіз.** Әдеттегі көзілдірік немесе күннен қорғайтын көзілдірік қорғаныш көзілдіргі емес.

6. **Шеге кесуге болмайды. Өңдемекші болған материалдың үстінде шеге бар жоғына қараңыз.** Егер байқасаңыз деркезінде алып тастаңыз.

7. Құралды қатты ұстаңыз.
8. Құралды іске қоспас бұрын аспап пен өңделетін материалдың жанасып қалған қалмағанын тексеріңіз.
9. Қолыңызды барлық қозғалмалы бөліктерден аулақ ұстаңыз.
10. Аспапты қолданбаған кезіңізде, қызымет күйінде тұрмасын. Аспапты қолмен тіреп тұрып қолданыңыз.
11. Қуат көзін толық ажыратып немесе пышақ толық тоқтағаннан кейін өңделген материал үстіндегі пышақты алыңыз.
12. Пайдаланғаннан кейін аспап пен өңделген бөлшектері бірден ұстамаңыз ; бөлкім қатты ыстық болуы мүмкін, теріңізді күйдіріп алудан сақтаныңыз.
13. Құралдың қажетсіз бос жағдайларда қозғалуына жол бермеңіз.
14. Әрқашан өңделетін материалдар мен қолданбаларға қолайлы шаңды маска / респиратор пайдаланыңыз.
15. Кейбір материалдар улы химикаттар болуы мүмкін. Шаң тозаңдарды сымырып мен теріңізді зияндауынан сақтану үшін абайлап жұмыс жасаңыз. Материалдық жабдықтаушының қауіпсіздік туралы ақпаратын қадағалап оқыңыз.
16. Бұл құрал суға төзімді емес, сондықтан өңделетін материалдардың бетінде суды қолданбаңыз.
- 17.Тегістеу кезінде Жұмыс аймағында ауаның жақсы алмасуын қадағалаңыз.
18. Бұл құралмен беткі қабатына қорғасынды сыр жағылған ағаштан және металдан жасалған бұйымдарды егегенде пайдаланушылар мен көрермендер құрамында зиянды заттар бар шаңды сымыруы мүмкін, қолданғанда тынс жолын құрғау аспабын пайдаланыңыз.
19. Қолданар алдында, төсенш үстінде жарық немесе зақым болмауына кепілдік етіңіз. Жарықшақ немесе зақым адамды жарақаттауы мүмкін.
20. Құралдың өндірушілері ұсынбаған арнайы әзірленген және танстырған материалдарды пайдаланбаңыз. Үйткені өңделетін материал сіздің электр құралыңызға жалғанбаған болуы мүмкін, сондықтан ұсынс етілмеген материал аспаптың қауіпсіз жұмыс жасауына кепілдік ете алмауы мүмкін.
21. Жеке қорғану құралдарын пайдаланыңыз. Қолдану ахуалына қарай мәскаларін, көзілдірік немесе қауіпсіздік көзілдіріктеріне киіңіз. Қалыпты жағдайда, есту мүшелерін қорғайтын қорғаныш, қолғап немесе шаң түйіршіктерін және өңделу үстіндегі материалдардың түйіршіктерінен қорғайтын кимдерді киіңіз. Көзілдірік қызымет барысында ұшып шығатын өртүрлі ұнтақтардан қорғай алатын болуы керек. Шаңнан қорғайтын мәскө немесе респиратөр жұмыс кезінде пайда болған бөлшектерді сүзуге қабылетті болуы керек. Ұзақ уақыт қатты шуылда қызымет жасау есту қабылетінен айыруы мүмкін.
22. Тамашалаушылар аспаптан алыс тұрсын, қызымет районынан жақын келуіне болмайды. Әрқандай қызымет районына кірген адам сөзсіз өзін қорғайтын қорғаныш бұйымдарын тағынуы керек. Өңделу үстіндегі материалдан ұшқындар ұшып шығып айналасындағы адамдарды жаралауы мүмкін.

23. **Өңделетін материал толық тоқтаудан бұрын електір апапты қоймаңыз.** Аспаптың айналып тұрған бөлшектері дене бетін іліп алып аспапты меңгере алмай қалуыңыз мүмкін.
24. **Електір аспап жаныңызда тұрғанда қызымет күйінде қоймаңыз.** Аспаптың айналмалы бөлшектері кимдеріңізді іліп алуы мүмкін.
25. **Оңай жанатын материалдарды аспаптың жанына қоймаңыз, аспаптан ұшқан от ұшқындары өрт апатын тудыруы мүмкін.**
26. **Аспапты суытатын ертінділерді қолданбаңыз, су немесе басқа ертінділер аспаптың айналысын тоқтатып қоиюы мүмкін.**
27. **Аспапты сөзсіз қуат көзінен айырып, ашалы сұғылманы қуат көзінен алып тастағансоң барып әртүрлі жұмстарды жасаңыз.**
28. **Егер жұмыс орны өте ыстық немесе дымқыл болса немесе ауыр дәрежеде шаң тозаңмен Ластанған болса қысқа тұйықталғанды (30mA) пайдаланып қызыметкердің қауіпсіздігін сақтаңыз.**
29. **Қондырғының берік болуына кепілдік етіңіз.** Бик орында аспапты қолданғанда, аспап астында ешқандай адам тұруына болмайды.

3.Ерекшеліктер

| | |
|--------------------------------|----------------------------|
| Үлгі | CT16004 |
| Жиілік | 220-230V |
| Кернеу | 50/60Hz |
| Номиналды кернеу | 320W |
| Бос айналу жылдамдығы | 6000-2000min ⁻¹ |
| Егелетін материал | 8mm (1/4") |
| Бос айналу тербеліс жылдамдығы | 3.2° |
| Таза салмақ | 1.68 |
| Қауыпсыздық санаты | Pet/II |

*Кампаниямыздың зерттеу ашып жобасы үздіксіз өзгеріп отырғандықтан, осы құжатта қамтылған ерекшеліктер ескертусіз өзгертілуі мүмкін.

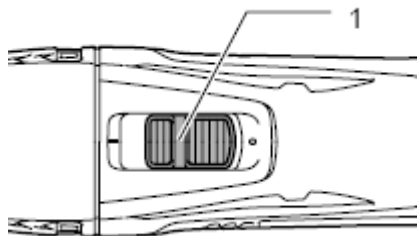
*Техникалық сипаттамалары елге байланысты әртүрлі болуы мүмкін.

4.Функционалдық сипаттамасы



Ескерту: аспапты міндетті түрде төк көзінен айырып, ашалы сұғылманы суып тастағансоң барып аспаптың функциясына реттеу алып барыңыз. Аспапты төк көзінен айырмаған жағдайда аспап Оқстан оталып қызыметкерлерді жаралауы мүмкін.

Айырып-қосқыш



1 Айырып-қосқышты жылжыту

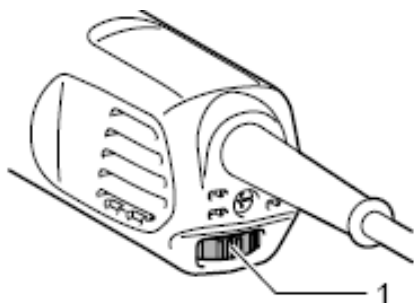
Күтімдеу :

- Абайлаңыз.

Аспаптың қуат көзін жалғаудан бұрын, аспап қуат көзі ұзылды ме жоқ тексеріңіз. Аспапты қозғалту керек болса, айырып қосқышты “I(ON)” қарай жылжытыңыз.

Аспапты тоқтату керек болса, “O(OFF)” кінөпкөсіне қарай қозғалтыңыз.

Релсті теңшеу рет саны



1. Айналмалы тақта

Ескерту:

Айналмалы тақтадағы нөмірді тікелей 1-ден 5-ке немесе 5-тен 1-ге дейін айналдыра алмайсыз. Күшпен бұрасаңыз аспап бұзылуы мүмкін. Нөмірді теру бағдарын өзгерткенде, нөмірді орташа сандар арқылы аударуды ұмытпаңыз.

Тұрақты қарқынды меңгеру аспабы

Електрлі қарқын меңгергіш ие болған тұрақты қарқынды контролдау үшін қолданылады.

Жүктемелі кезінде, релстің ығыстыру күшінің тұрақтылығын сақтауға болады, сол арқылы әрлеуге болады.

Құрастыру



Абай болыңыз:

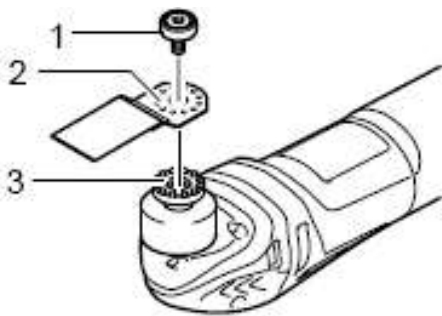
Құралдың қуат көзінен ажыратылғанын, сұғылмалы ашаны қуат көзінен ажыратылғанын тексеріңіз, қатсты қызыметтерді және құрастыру, сөгу жұмстарын сонансоң алып барыңыз.



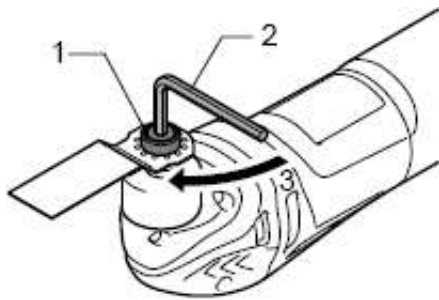
Ескерту:

• қолданылмалы аспапты керісінше орнатып қоюдан сақтаныңыз. Құрылғыны теріс орнату аспапты зақымдауы қызыметкерлерді жаралауы мүмкін.

• Жұмысыңызға байланысты аксессуарларды тиісті бағытта орнатыңыз. 30 грөдустық ұзындық бойынша қолданылмалы құрылғыны орнатуға болады.



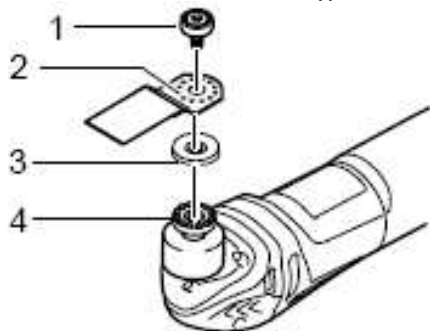
1. Қолданылмалы құралды орнату бұрандасы
2. Қолданылмалы құралдан тесік ашу
3. Аспап клапанының дөңес жиегі



1. Қолданылмалы құралдың құрастыру бұрандасы
2. Ішкі алты бұрышты тұтқа
3. Қатты бұрау

Қолданылмалы аспапты (сәйкесті материалды талдасаңыз болады) фланецінің үстіне орналастырыңыз, фланецінің дөңес жиегін қолданылмалы құралдан ашылған тесікке салыңыз, соңынан алты бұрышты тұтқадан пайдаланып бұранданы қатты бұрап қолданылмалы аспапты Бекітіңіз. Майдалағыш қолданылмалы құралды қолданғанда, майдалағыш төсенштің үстіне қолданылмалы құралды орнатыңыз, майдалағыш төсенштің бағытымен бағыттас болсын. Майдалағыш төсенште ілмекті сәйкес фонкция бар, қолдануға қолайлы болу үшін. Тездікпен құм қағазды салыңыз.

Құм қағаз (түрпі қағаз) үстінде шаң саңылауларының болуына байланысты, құм қағазды лайықты Бекітіңіз, құм қағаз үстіндегі тесік пен майдалағыш төсеніш үстіндегі тесік өзара сәйкес келсін. Құм қағазды алып тастау керек болса, құм қағаздың бір ұшын көтеріп шығарыңыз. Алты бұрышты тұтқаны қолданып босатып, қолданылмалы құралдағы құрастыру бұрандасын алып тастаңыз, соңынан қолданылмалы құралды сөгіп тастаңыз.



1. Қолданылмалы құралдың құрастыру бұрандасы
2. Қолданылмалы құралдан тесік ашу
3. Сәйкесті аспап
4. Аспаптың фланецінің дөңес жиегі

Ұқсамаған құрастыру бөлшек типті қолданылмалды құралды қолданғанда, сәйкесті аспаптарды қолданыңыз (сәйкесті материалды талдауыңызға болады)

Меңгеру



Ескерту:

- Құралды іске қосудан бұрын және құрал жұмыс істеп тұрғанда, қолдарыңыз бен бетіңізді құралдан алысырақ ұстаңыз.



Абай болыңыз:

- Құралға шамадан тыс жүктемені қолданбаңыз, себебі бұл құрал қозғалтқышты құрсаулауға және тоқтатуға себеп болуы мүмкін.



Қолданылмалы құралды өңделетін материал үстіне қою. Соңынан аспапты лайықты алға жылжытып, аспаптың қозғалуының ақырындап қалмауына қолайлылық жасау.

Ескерту:

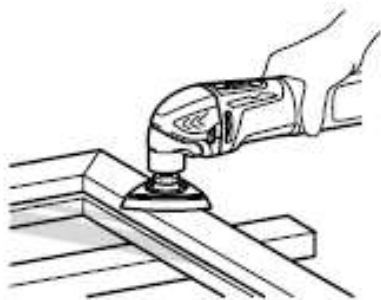
- Аспапқа артық қысым тұсыру немесе қысым шамадан тыс болса қызымет өнімділігі төмендейді.
- Кесу өперәтсияларын алып барудан бұрын, реліс ығыстру санын 3-5 аралығына теңшеңіз.

Егеу



Абай болыңыз:

- металдарды тазалау үшін пайдаланылатын құм қағазбен ағаш материалдарын егемеңіз.
- зақымдалған құм қағаз немесе егеу беті тозған құм қағазды қолданбаңыз.

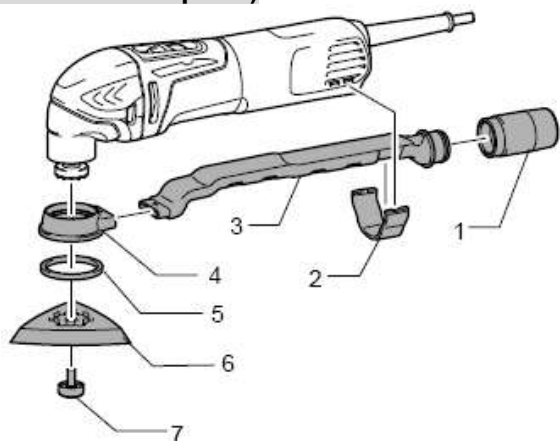


Қағазды дайындауға қойыңыз.

Ескерту:

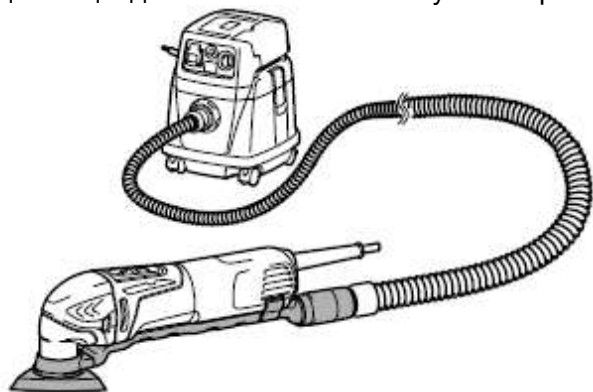
- жұмысыңыздың реліс ығысу санына тура келуі үшін өңделетін материал үлгісін сынақ етіп көруіңізді ұсыныс етеміз.
- бүкіл жұмысты аяқтағанға дейін ұқсас құм Қағазын пайдаланыңыз. Өртүрлі құм Қағазын қолданғанда нәтиже ойлағаныңыздай әдемі шықпайды.

5. Шаңды кетіруге арналған қосымша материал (таңдап қолдануға болатын материал)



1. Қосқыш
2. Бүркіш ауыз шеңбері
3. Шаңнан қорғауыш ауыз
4. Шаңнан қорғауыш бөлшек
5. Поржина
- 6 ләйнер
7. Қолданылмалы аспаптың құрастыру бұрандасы

- қосқыштарды, бүркіш ауыз және шаңнан қорғану бөлшегі
- бүркіш ауыз шеңберін аспапқа лайықты орналастыру, дөңес жиектің аспаптағы тесікке дұрыс түсуіне кепілдік ету және ары қарай қатайту.
- киіз сақинаны және егеу төсенішін шаңнан қорғану бөлшегіне қойыңыз, соңынан қолданбалы аспапты бекіту біліктерімен бекітіңіз.



Егер тазалау жұмысын бастау керек болса, ауасыздандырылған шаң сорғышты құралға қосыңыз. Шаңсорғыштың жұмсақ түтігін шаң тазалау қосымша бөлшегіне жалғаңыз (таңдауға болатын қосымша бөлшек) .

Күтімдеу



Абай болыңыз:

- құралдың электр желісінен ажыратылғанына, қуат ашасы алынып тасталғанына көз жеткізіңіз, соңынан оны тексеру және күтімдеу жұмстарын жасаңыз. .

Бензин, жеңіл бензин, сұйылтқыш, спирт пайдаланбаңыз. Мұны істеу реңді түсіреді, пышын өзгертеді және жарықшақ пайда қылады. Өнімнің қауіпсіздігі мен сенімділігін қамтамасыз ету үшін, бөлшектерді ауыстру, ремонттау, шшеткаларді тексеруі және ауыстыруы қызыметтерін уақылетті қызмет көрсету орталықтары алып баруы керек, сондай-ақ басқа кез-келген жөндеу

немесе теңшеу жұмыстарын атқарады.

Таңдауға болатын қосымша бөлшек



Абайлаңыз:

Бұл бөлшектермен запчастарды осы кітапшадағы Бекткен белгілеме бойынша қолданыңыз. Басқа әрқандай запчас немесе бөлшектерді қолданғанда адам жаралануы мүмкін.

Абайлаңыз:

Бұл бөлшектермен запчастарды осы кітапшадағы Бекткен белгілеме бойынша қолданыңыз. Басқа әрқандай запчас немесе бөлшектерді қолданғанда адам жаралануы мүмкін.

- | | | |
|-------------------------------|-----------------------------------|---|
| •Бөлек формалы ара | • Өдеттегі кесп жамау аспабы | •әдәптер |
| •дөңгелек ара | • НМ Тазалау аспабы | •бұрышты құм қағаз (қызыл / ақ / қара) |
| •аралау күйіне алмастыру | • НМ Бөлек формалы ара | •Үшбүрішті ұстаушы фелт (орташа / өрескел / тегіс емес) |
| •қырғыш пышақ (қатты) | • НМ қырғыш тақта | • бұрышты жылтр кигіз |
| •қырғыш пышақ (жұмсақ) | •алмас тасты кесілген аралау жүзі | •алты бұрышты тұтқа |
| •ара тысты бөлшекті өткір жүз | •егеуіш төсеніш | • Шаңды тазалау бөлшегі |

Ескерту:

• кестедегі кейбір бөлшектер, стандартты бөлшектер ретінде аспап қорабына қосылуы мүмкін. Жоғарыда баяндалған заттар мемлекетке байлансты ұқсас болмайды.

1. Normas generales de seguridad



ADVERTENCIA! Lea todas las advertencias de seguridad y todas las instrucciones. Si no se siguen las advertencias e instrucciones, se pueden producir descargas eléctricas, incendios y/o lesiones graves.

Guarde todas las advertencias e instrucciones para referencia futura.

El término "herramienta eléctrica" en las advertencias se refiere a su herramienta eléctrica de operación (con cable) o a la herramienta eléctrica con batería (sin cable).

1) Seguridad de la zona de trabajo

a) **Mantenga la zona de trabajo limpia y bien iluminada.** Las áreas abarrotadas o oscuras invitan a accidentes.

b) **No opere las herramientas eléctricas en atmósferas explosivas, por ejemplo en presencia de líquidos, gases o polvos inflamables.** Las herramientas eléctricas generan chispas que pueden inflamar el polvo o los vapores.

c) **Mantenga alejados a los niños y espectadores mientras opera una herramienta eléctrica.** Las distracciones pueden hacer que pierda el control.

2) Seguridad eléctrica

a) **Los enchufes de la herramienta eléctrica deben coincidir con el tomacorriente. Nunca modifique el enchufe de ninguna manera. No utilice enchufes adaptadores con herramientas eléctricas con conexión a tierra.** Los enchufes sin modificar y los tomacorrientes que coincidan reducirán el riesgo de descarga eléctrica.

b) **Evite el contacto corporal con superficies con conexión a tierra, como tuberías, radiadores, cocinas y neveras.** Hay un mayor riesgo de descarga eléctrica si su cuerpo está conectado a tierra o a tierra.

c) **No exponga las herramientas eléctricas a la lluvia o a las condiciones húmedas.** El agua que entra en una herramienta eléctrica aumentará el riesgo de descarga eléctrica.

d) **No abuse del cable. Nunca use el cable para transportar, jalar o desconectar la herramienta eléctrica. Mantenga el cable alejado del calor, aceite, bordes afilados o partes móviles.** Los cables dañados o enredados aumentan el riesgo de descarga eléctrica.

e) **Cuando opere una herramienta eléctrica al aire libre, use un cable de extensión adecuado para uso en exteriores.** El uso de un cable adecuado para uso en exteriores reduce el riesgo de descarga eléctrica.

f) **Si el funcionamiento de una herramienta eléctrica en un lugar húmedo es inevitable, utilice un suministro protegido de dispositivo de corriente residual (RCD).** El uso de un RCD reduce el riesgo de descarga eléctrica. NOTA: el término "dispositivo de corriente residual (RCD)" puede ser sustituido por el término "interruptor de circuito de falla a tierra (GFCI)" o "disyuntor de fuga de tierra (ELCB)".

3) Seguridad personal

- a) **Manténgase alerta, observe lo que está haciendo y use el sentido común cuando opere una herramienta eléctrica. No use una herramienta eléctrica mientras esté cansado o bajo la influencia de drogas, alcohol o medicamentos.** Un momento de inatención durante el funcionamiento de las herramientas eléctricas puede resultar en lesiones personales graves.
 - b) **Use equipo de protección personal. Siempre use protección ocular.** Los equipos de protección, como la máscara contra el polvo, los zapatos de seguridad antideslizante, el casco o la protección auditiva utilizados para las condiciones apropiadas reducirán las lesiones personales.
 - c) **Evitar el arranque involuntario. Asegúrese de que el interruptor esté en la posición de apagado antes de conectar la fuente de alimentación y/o el paquete de baterías, recogiéndolo o cargando la herramienta.** Llevando las herramientas eléctricas con el dedo en el interruptor o las herramientas eléctricas energizantes que tienen el interruptor encendido invita a accidentes.
 - d) **Retire cualquier llave de ajuste o llave de tuercas antes de encender la herramienta eléctrica..** Una llave mecánica o una llave que quede conectada a una parte giratoria de la herramienta eléctrica puede resultar en lesiones personales.
 - e) **No se estire. Mantenga los pies y el equilibrio apropiados en todo momento.** Esto permite un mejor control de la herramienta eléctrica en situaciones inesperadas.
 - f) **Vístase apropiadamente. No use ropa holgada ni joyas. Mantenga su cabello, ropa y guantes lejos de las partes móviles.** La ropa holgada, las joyas o el cabello largo pueden ser atrapados en las partes móviles.
 - g) **Si se proporcionan dispositivos para la conexión de instalaciones de extracción y recolección de polvo, asegúrese de que estén conectados y utilizados correctamente..** El uso de la recolección de polvo puede reducir los peligros relacionados con el polvo.
 - h) **No permita que la familiaridad obtenida con el uso frecuente de herramientas le permita ser complaciente e ignorar los principios de seguridad de la herramienta..** Una acción descuidada puede causar lesiones graves en una fracción de segundo.
- 4) **Uso y cuidado de la herramienta eléctrica**
- a) **No fuerce la herramienta eléctrica. Utilice la herramienta eléctrica correcta para su aplicación.** La herramienta eléctrica correcta hará el trabajo mejor y más seguro en la tasa para la cual fue diseñada.
 - b) **No utilice la herramienta eléctrica si el interruptor no lo enciende o apaga..** Cualquier herramienta eléctrica que no pueda ser controlada con el interruptor es peligrosa y debe ser reparada.
 - c) **Desconecte el enchufe de la fuente de alimentación y/o el paquete de baterías de la herramienta eléctrica antes de realizar cualquier ajuste, cambiar accesorios o almacenar herramientas eléctricas.** Tales medidas preventivas de seguridad reducen el riesgo de arrancar la herramienta eléctrica accidentalmente.
 - d) **Almacene las herramientas eléctricas inactivas fuera del alcance de los**

niños y no permita que las personas que no estén familiarizadas con la herramienta eléctrica o estas instrucciones operen la herramienta eléctrica. Las herramientas eléctricas son peligrosas en manos de usuarios no entrenados.

- e) **Mantenga las herramientas eléctricas. Verifique que no haya piezas móviles desalineadas o agarrotadas, roturas de piezas y cualquier otra condición que pueda afectar el funcionamiento de la herramienta eléctrica. Si está dañado, repare la herramienta eléctrica antes de usarla.** Muchos accidentes son causados por las herramientas eléctricas mal mantenidas.
- f) **Mantenga las herramientas de corte afiladas y limpias.** Las herramientas de corte correctamente mantenidas con bordes cortantes afilados tienen menos probabilidades de atascarse y son más fáciles de controlar.
- g) **Utilice la herramienta eléctrica, accesorios y brocas de herramientas, etc. de acuerdo con estas instrucciones, teniendo en cuenta las condiciones de trabajo y el trabajo a realizar.** El uso de la herramienta eléctrica para operaciones diferentes a las previstas podría resultar en una situación peligrosa.
- h) **Mantenga las asas y las superficies de agarre secas, limpias y libres de aceite y grasa.** Las asas resbaladizas y las superficies de agarre no permiten el manejo seguro y el control de la herramienta en situaciones inesperadas.

5) Servicio

- a) **Mantenga su herramienta eléctrica reparada por una persona calificada de reparación utilizando sólo piezas de repuesto idénticas.** Esto asegurará que se mantenga la seguridad de la herramienta eléctrica.

2.Advertencias de Seguridad de Herramientas múltiples

1. **Esta herramienta eléctrica está diseñada para aserrar, cortar, esmerilar y lijar. Lea todas las advertencias de seguridad, instrucciones, ilustraciones y especificaciones proporcionadas con esta herramienta eléctrica.** Si no se siguen todas las instrucciones que se enumeran a continuación se puede producir una descarga eléctrica, incendio y/o lesiones graves.
2. **Sujete la herramienta eléctrica por las superficies de agarre aisladas, cuando realice una operación en la que el accesorio de corte pueda entrar en contacto con cableado oculto o con su propio cable.** Accesorio de corte del contacto con un cable "vivo" puede hacer que las partes metálicas expuestas de la herramienta eléctrica "viva" y puedan dar al operador una descarga eléctrica.
3. **Utilice abrazaderas u otra forma práctica para sujetar y apoyar la pieza de trabajadora en una plataforma estable.** Sostener el trabajo a mano o contra su cuerpo puede dejar inestable y conducir a la pérdida de control.
4. **Coloque el cable alejado del accesorio giratorio.** Si pierde el control, el cable puede cortarse o engancharse y la mano o el brazo pueden ser jalados hacia el accesorio giratorio.
5. **Los anteojos de sol o ojo ordinario no son anteojos de seguridad.**
6. **Evite cortar clavos. Inspeccione la pieza de trabajo para cualquier clavo y quítela antes de la operación**
7. **Sujete la herramienta firmemente.**

8. **Asegúrese de que la herramienta de aplicación no esté en contacto con la pieza de material antes de encender el interruptor.**
9. **Mantenga las manos alejadas de las piezas móviles.**
10. **No deje la herramienta en marcha. Opere la herramienta solamente cuando esté sujeta a mano.**
11. **Siempre apague el disco y espere a que la hoja se detenga por completo antes de retirar la hoja de la pieza de material.**
12. **No toque la herramienta de aplicación ni la pieza de trabajo inmediatamente después de la operación; pueden ser extremadamente calientes y pueden quemar su piel.**
13. **No opere la herramienta sin carga innecesariamente.**
14. **Utilice siempre la mascarilla antipolvo/respirador correcta para el material y la aplicación con la que está trabajando.**
15. **Algunos materiales contienen sustancias químicas que pueden ser tóxicas.** Tenga cuidado para evitar la inhalación de polvo y el contacto con la piel. Siga los datos de seguridad del proveedor de material.
16. **Esta herramienta no ha sido impermeabilizada, por lo que no utilice agua en la superficie de la pieza de trabajo.**
17. **Ventile adecuadamente su área de trabajo cuando realice operaciones de lijado.**
18. **El uso de esta herramienta para lijar algunos productos, p.ej. superficies de pintura con plomo, madera y metales podría exponer al usuario y a los espectadores al polvo que contiene sustancias peligrosas.** Utilice una protección respiratoria adecuada.
19. **Asegúrese de que no haya grietas o roturas en la almohadilla antes de usarlas. Las grietas o roturas pueden causar lesiones personales.**
20. **No utilice accesorios que no estén específicamente diseñados y recomendados por el fabricante de la herramienta.** Sólo porque el accesorio se puede conectar a su herramienta eléctrica, no asegura la operación segura.
21. **Use equipo de protección personal. Dependiendo de la aplicación, utilice el protector facial, gafas de seguridad o anteojos de seguridad. Según proceda, utilice protectores auditivos, guantes y delantal de taller capaces de detener peque os fragmentos abrasivos o de pieza de trabajo.** La protección ocular debe ser capaz de detener los desechos voladores generados por varias operaciones. La mascarilla contra el polvo o el respirador deben ser capaces de filtrar las partículas generadas por su operación. La exposición prolongada al ruido de alta intensidad puede causar pérdida auditiva.
22. **Mantenga a los espectadores a una distancia segura del área de trabajo.** Cualquier persona que ingrese al área de trabajo debe usar equipo de protección personal. Los fragmentos de pieza de trabajo o de un accesorio roto pueden salir volando y causar lesión.
23. **Nunca coloque la herramienta eléctrica hacia abajo hasta que el accesorio se detenga por completo.** El accesorio giratorio puede agarrar la superficie y sacar la herramienta eléctrica de su control.
24. **No haga funcionar la herramienta eléctrica mientras la transporta a su lado. El contacto accidental con el accesorio podría enganchar su ropa, tirando del**

accesorio en su cuerpo.

25. **No opere la herramienta eléctrica cerca de materiales inflamables. Las chispas podrían incendiar estos materiales.**

26. **No utilice los accesorios que requieran refrigerantes líquidos.** El uso de agua u otros refrigerantes líquidos puede resultar en electrocución o choque.

27. **Asegúrese siempre de que la herramienta esté apagada y desenchufada antes de realizar cualquier trabajo en la herramienta.**

28. **Si el lugar de trabajo es extremadamente caliente y húmedo, o está mal contaminado por polvo conductivo, utilice un disyuntor de cortocircuito (30 mA) para asegurar la seguridad del operador.**

29. **Asegúrese siempre de tener una base firme.** Asegúrese de que no haya nadie debajo cuando use la herramienta en lugares altos.

3.ESPECIFICACIONES

| | |
|-----------------------------------|----------------------------|
| Modelo | CT16004 |
| Frecuencia | 220-230V |
| Voltaje | 50/60Hz |
| Voltaje nominal | 320W |
| Velocidad sin carga | 6000-2000min ⁻¹ |
| Placa de enarenación | 8mm (1/4") |
| Tarifa de la oscilación sin carga | 3.2° |
| Peso neto | 1.68 |
| Gafas de seguridad | vuelta/II |

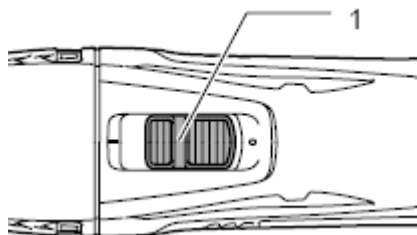
*Debido a nuestro programa continuo de investigación y desarrollo, las especificaciones aquí presentes están sujetas a cambios sin previo aviso. Las especificaciones pueden diferir de un país a otro.

4.Descripción Funcional



ADVERTENCIA: Asegúrese siempre de que la herramienta esté apagada y desenchufada antes de ajustar o comprobar la función de la herramienta. Si no se apaga y desenchufa la herramienta, se pueden producir lesiones personales graves debido a una puesta en marcha accidental

Acción de conmutación



1. Interruptor deslizante

PRECAUCIÓN:

• Antes de enchufar la herramienta, compruebe siempre que la herramienta esté desconectada.

Para arrancar la herramienta, deslice el interruptor deslizante hacia la posición "I (encendido)".

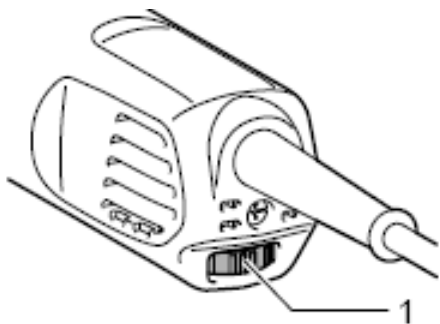
Para detener la herramienta, deslice el interruptor deslizante hacia la posición "O (OFF)".

Ajuste de la velocidad de trazo orbital

La velocidad de trazo orbital es ajustable.

ES

33



1. Dial

Para cambiar la velocidad de trazo orbital, gire el dial entre 1 y 5. Cuanto mayor es el número, mayor es la tasa de movimiento orbital. Prestablezca el dial al número adecuado para su pieza de material.

NOTA:

- El dial no se puede girar directamente de 1 a 5 o de 5 a 1. Forzar el dial puede dañar la herramienta. Al cambiar la dirección del dial, siempre gire el dial moviéndolo a través de cada número intermedio.

Control de velocidad constante

Control electrónico de velocidad para la obtención de velocidad constante. Posible conseguir final fino, porque la tarifa orbital del movimiento es constante mantenida incluso bajo condición de la carga.

DESMONTE



PRECAUCIÓN:

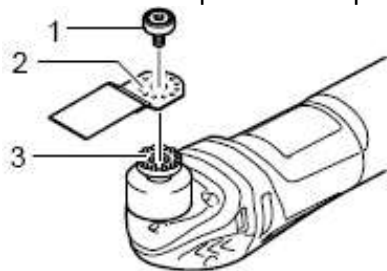
Asegúrese siempre de que la herramienta esté apagada y desenchufada antes de realizar cualquier trabajo en la herramienta. Instalación o eliminación application tool(optional accessory)



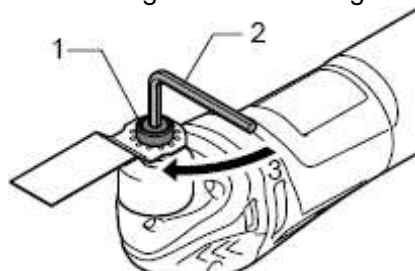
ADVERTENCIA:

• No instale la herramienta de aplicación al revés. Instalar la herramienta de aplicación al revés puede dañar la herramienta y causar lesiones personales graves.

• Instale la herramienta de sujeción en la dirección correcta según su trabajo. La herramienta de aplicación se puede instalar en un ángulo de cada 30 grados.



1. Perno de instalación de herramienta de aplicación
2. Taladros en la herramienta de aplicación
3. Protuberancias de la brida de la herramienta

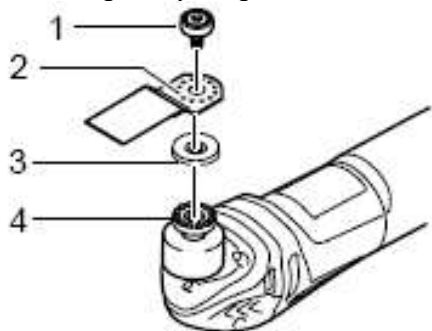


1. Perno de instalación de herramienta de aplicación
2. Llave hexagonal
3. Apriete

Coloque una herramienta de aplicación (accesorio opcional) en la brida de la

herramienta de manera que las protuberancias de la brida de la herramienta encajen en los orificios de la herramienta de aplicación y aseguren la herramienta de aplicación apretando firmemente el perno con la llave hexagonal. Cuando utilice la herramienta de aplicación de lijado, Monte la herramienta de aplicación en la almohadilla de lijado de manera que coincida con la dirección de la almohadilla de lijado. La almohadilla de lijado tiene un sistema de ajuste de tipo gancho y lazo que permite una fácil y rápida instalación de un papel lijador.

Debido a los papeles de lijado tienen orificios para la extracción de polvo, Monte un papel de lija para que los orificios en un papel de lija coincidan con los de la almohadilla de lijar. Para quitar un papel de lijar, levante su extremo y despegue. Afloje y quite el perno de instalación de la herramienta de aplicación usando una llave hexagonal y luego retire la herramienta de aplicación.



1. Perno de instalación de herramienta de aplicación
2. Taladros en la herramienta de aplicación
3. Adaptador
4. Protuberancias de la brida de la herramienta

Cuando utilice herramientas de aplicación con un tipo diferente de sección de instalación, use un adaptador correcto (accesorio opcional).

OPERACIÓN



ADVERTENCIA:

- Antes de arrancar la herramienta y durante el funcionamiento, mantenga la mano y la cara alejadas de la herramienta de aplicación.



PRECAUCIÓN:

- No aplique una carga excesiva a la herramienta que puede causar un bloqueo del motor y detener la herramienta.



Coloque la herramienta de aplicación en la pieza de material. Y, a continuación, mueva la herramienta hacia delante para que el movimiento de la herramienta de aplicación no disminuya.

NOTA:

- La presión forzada o excesiva de la herramienta puede reducir la eficiencia.
- Antes de la operación de corte, se recomienda preajustar la velocidad de movimiento orbital 3-5.

Sanding



PRECAUCIÓN:

- No reutilice un papel de lija usado para lijar el metal y madera.
- No utilice papel de lija desgastado o papel de lija sin arenilla.

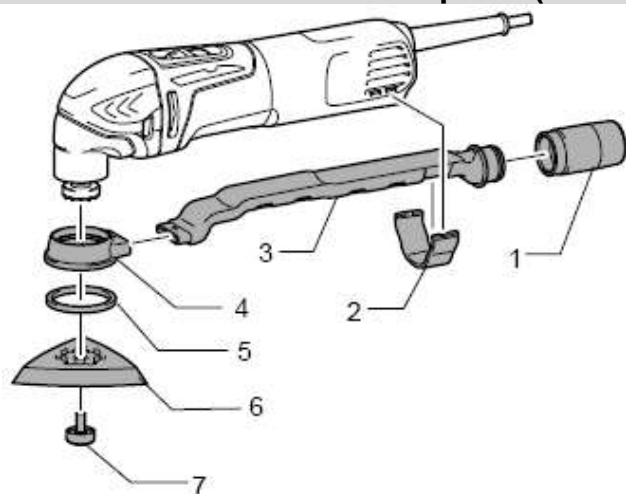


Aplique un papel lijador sobre la pieza de trabajo.

NOTA:

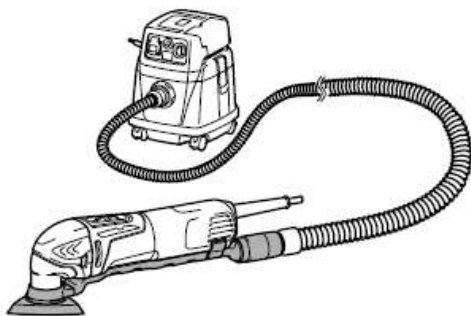
- El uso de una muestra de material de prueba para tratar es recomendable para determinar una tasa de movimiento orbital correcta adecuada para su trabajo.
- Utilice un papel de lija con la misma arenilla hasta que se complete el lijado de toda la pieza de trabajo. El reemplazo de un papel de lija con papel lijador de grano diferente puede no tener un acabado fino.

5. Accesorio de extracción de polvo (accesorio opcional)



1. Junta
2. Banda de boquilla
3. Boquilla de polvo
4. Accesorio del polvo
5. Anillo del fieltro
6. Almohadilla
7. Perno de instalación de herramienta de aplicación

- La boquilla de polvo y el accesorio para polvo.
- Instale la banda de la boquilla en la herramienta de manera que sus protuberancias encajen en los orificios de la herramienta para fijarla.
- Coloque el anillo de fieltro y la almohadilla de lija en el accesorio para polvo y asegúrelos con el perno de instalación de la herramienta de aplicación.



Cuando desee realizar un funcionamiento más limpio, conecte una aspiradora a su herramienta. Conecte una manguera de aspiradora al accesorio de aspiración de polvo (accesorio opcional)..

MANTENIMIENTO



PRECAUCIÓN:

- Asegúrese siempre de que la herramienta esté apagada y desenchufada antes de intentar realizar la inspección o el mantenimiento.
- Nunca use gasolina, bencina, diluyente, alcohol, de lo contrario puede resultar la decoloración, deformación o grietas. Para mantener la seguridad y confiabilidad del producto, reparaciones, inspección de escobillas de carbón y reemplazo, cualquier otro mantenimiento o ajuste debe ser realizado por centros de servicio autorizados, siempre use piezas de repuesto.

Accesorios Opcionales



PRECAUCIÓN:

• Estos accesorios o aditamentos se recomiendan para su uso con los especificados en este manual. El uso de cualquier otro accesorio o de los aditamentos puede presentar un riesgo de lesiones a las personas. Utilice solamente accesorios o aditamentos para su propósito indicado. Si necesita ayuda para más detalles sobre estos accesorios, pregúntele a su centro de servicio local.

- | | | |
|---|-------------------------------------|---|
| • Hoja de Sierra del segmento | • General joint cutter | • Adaptador |
| • Hoja de sierra redonda | • Removedor de HM | • Delta de papel abrasivo (rojo/blanco/negro) |
| • Hoja de Sierra de corte por inmersión | • Hoja de Sierra del segmento de HM | • Polar Delta (medio/grueso/sin grano) |
| • Raspador (rígido) | • Placa de lijado de HM | • Delta del fieltro de pulido |
| • Raspador (flexible) | • Hoja de sierra de diamante | • Llave hexagonal |
| • Hoja dentada del segmento | • Almohadilla de lijado | • Accesorio de extracción de polvo |

NOTA:

• Algunos elementos de la lista pueden incluirse en el paquete de herramientas como accesorios estándar. Pueden diferir de un país a otro.

1. عامة قواعد السلامة تحذير

إتحذير قراءة جميع السلامة تحذيرات وجميع التعليمات. عدم لمتابعة تحذيرات والتعليمات قد يؤدي إلى صدمة كهربائية، النار و / أو إصابة خطيرة. حفظ جميع تحذيرات والتعليمات للرجوع إليها في المستقبل. مصطلح "أداة السلطة" في تحذيرات يشير إلى جهاز التيار الكهربائي تديرها (حبال) أداة السلطة أو بطارية تعمل (لاسلكي) أداة السلطة.

1) عمل منطقة أمان

(A) الحفاظ على منطقة العمل نظيفة وجيدة مضاعة تشوش أو المناطق المظلمة دعوة الحوادث
(B) لا تعمل أدوات كهربائية في القابلة للانفجار، مثل وجود السوائل القابلة للاشتعال، الغازات أو الغبار. أدوات كهربائية إنشاء سباركس والتي قد يشعل الغبار أو أبخرة
(C) إبقاء الأطفال و المارة بعيدا في حين تشغيل أداة السلطة. الانحرافات يمكن أن يسبب لك أن تفقد السيطرة.

2) السلامة الكهربائية

(A) أداة السلطة المقاييس يجب أن تتطابق مع منفذ. أبدا تعديل المكونات بأي شكل من الأشكال. لا تستخدم أي محول المقاييس مع تأريض (أساس) أدوات كهربائية. معدلة المقاييس ومطابقة منافذ سوف يقلل خطر الصدمة الكهربائية
(B) تجنب الجسم الاتصال مع تأريض أو أساس السطوح، مثل أنابيب، المشعاعات، تتراوح والثلاجات. هناك خطر متزايد من الصدمة الكهربائية إذا جسمك هو تأريض أو الأرض
(C) لا يعرض أدوات كهربائية المطر أو الرطب شروطه. المياه إدخال أداة السلطة سوف تزيد من خطر الإصابة الصدمة الكهربائية

(D) لا إساءة استخدام الحبل. أبدا استخدام الحبل لنقل، سحب أو إلغاء توصيل الطاقة أداة. الحفاظ الحبل بعيدا عن الحرارة، النفط، حواف حادة أو أجزاء متحركة. التالفة أو متشابكا الحبال تزيد من خطر الإصابة الصدمة الكهربائية
(E) عند تشغيل أداة السلطة في الهواء الطلق، استخدم امتدادا الحبل مناسبة للاستخدام في الهواء الطلق. استخدام حبل مناسبة للاستخدام في الهواء الطلق تقلل من خطر الصدمة الكهربائية

(F) في حالة تشغيل أداة السلطة في مبللة الموقع أمر لا مفر منه، استخدم أحد الحالية المتبقية جهاز (التجمع) المحمية العرض. استخدام هذا التجمع يقلل من خطر الصدمة الكهربائية. ملاحظة: مصطلح "الحالية المتبقية جهاز (التجمع)" يمكن الاستعاضة عن عبارة "الأرض خطأ الدائرة المقطع أداة لقطع التيار الكهربائي (gfc) " أو "الأرض تسرب قواطع دوائر (elcb)"

3) السلامة الشخصية

(A) البقاء في حالة تاهب، وتوش ما تقومون به واستخدام الحس السليم عند تشغيل أداة السلطة. لا تستخدم الطاقة أداة بينما أنت متعب أو تحت تأثير المخدرات والكحول أو الأدوية. لحظة غفلة أثناء التشغيل أدوات كهربائية قد يؤدي إلى خطورة الإصابة الشخصية

(B) استخدام معدات الحماية الشخصية. دائما ارتداء العين الحماية. معدات الوقاية مثل الغبار قناع، غير زلق أحذية السلامة، قبة الثابت، أو حماية السمع المستخدمة في الظروف المناسبة سيقلل الشخصية إصابات
(C) منع غير مقصود البدء. ضمان المفتاح هو في خارج الموضع قبل الاتصال مصدر الطاقة و / أو حزمة بطارية، النقاط أو تحمل الأداة. تحمل أدوات كهربائية مع إصبعك على المفتاح أو تنشيط أدوات كهربائية التي التبديل على تدعو الحوادث

(D) إزالة أي تعديل مفتاح أو مفتاح قبل تحويل الطاقة أداة جرا. على مفتاح أو مفتاح اليسار المرفقة إلى الدورية جزء من أداة السلطة قد يؤدي إلى الإصابة الشخصية

(E) لا تجاوز. الحفاظ السليم قدم المساواة والتوازن في جميع الأوقات، مما يتيح أفضل السيطرة على أداة السلطة في غير متوقع الحالات

(F) اللباس بشكل صحيح. لا ارتداء فضفاضة الملابس أو المجوهرات. ابق على الشعر، الملابس قفازات عن أجزاء متحركة. فضفاضة الملابس، المجوهرات أو طويل الشعر يمكن اشتعلت في أجزاء متحركة

(G) إذا الأجهزة تزود مقابل الاتصال من الغبار استخراج وجمع المرافق ضمان هذه هي على اتصال بشكل صحيح المستخدمة. استخدام الغبار جمع يمكن أن تقتل الغبار المتعلقة بالمخاطر

(H) لا تدع الإمام المكتسبة من الاستخدام المتكرر أدوات تسمح لك أن تصبح راضية وتجاهل أداة السلامة المبادئ

ألف الإهمال العمل يمكن أن يسبب شديدة إصابة في غضون جزء من الثانية
4. أداة السلطة استخدام والرعاية

(A) لا قوة قوة أداة استخدم الصحيح أداة السلطة للتطبيق الخاص بك. الصحيح أداة السلطة سوف تفعل وظيفة أفضل وأكثر أمناً بمعدل التي كانت مصممة
(B) لا تستخدم أداة السلطة إذا المفتاح لا تشغيله وخارجها. أي أداة السلطة التي cannot يمكن السيطرة عليها مع التبديل خطير ويجب إصلاح

(C) قطع سد من مصدر الطاقة و / أو البطارية حزمة من أداة السلطة قبل اتخاذ أي تعديلات، تغيير الملحقات، أو تخزين أدوات كهربائية. هذه الوقائية إجراءات السلامة الحد من خطر بدء أداة السلطة عن طريق الخطأ
(D) تخزين الخمول أدوات كهربائية من متناول الأطفال و لا تسمح الأشخاص غير مؤهلة مع قوة أداة أو هذه التعليمات لتشغيل أداة السلطة. أدوات كهربائية تشكل خطراً في أيدي غير مدربين المستخدمين

(E) الحفاظ على أدوات كهربائية. تحقق من أجل المحاذاة غير الصحيحة أو ملزمة من أجزاء متحركة، الكسر من أجزاء وغيرها من أي حالة التي قد تؤثر على السلطة الأداة التشغيل إذا التالفة، تملك قوة أداة إصلاح قبل الاستخدام. العديد من الحوادث هي التي تسببها ضعيفا الحفاظ على أدوات كهربائية

(F) الحفاظ على أدوات القطع حاد ونظيفة. بشكل صحيح الحفاظ على أدوات القطع مع حاد قطع الحواف أقل عرضة ربط ويتم أسهل السيطرة
(G) استخدام أداة السلطة، وإكسسوارات أداة بت وما إلى ذلك وفقا لأحكام هذه التعليمات، مع مراعاة ظروف العمل وعمل أن يؤديها. استخدام السلطة أداة عمليات مختلفة عن تلك التي تهدف يمكن أن يؤدي إلى الخطرة الوضع

(H) الحفاظ مقابض و استيعاب السطوح جاف، نظيفة وخالية من نطف و الشحوم. زلق مقابض و استيعاب السطوح لا تسمح أمانة التعامل مع والسيطرة من الأداة في غير متوقع الحالات
5. تخدم

(A) أن وسعكم أداة الخدمات بواسطة أحد المؤهلين إصلاح شخص فقط باستخدام متطابقة قطع الغيار. سيؤدي ذلك إلى ضمان سلامة قوة أداة المحافظة.

2. تحذيرات السلامة للأداة المتعددة الوظائف

1. تهدف أداة الطاقة هذه لتحقيق وظائف القطع والنشر والطحن والسنفرة. اقرأ جميع تحذيرات السلامة والتعليمات والرسوم التوضيحية والمواصفات المقدمة مع أداة الطاقة هذه. قد يؤدي عدم اتباع جميع التعليمات الواردة أدناه إلى حدوث صدمة كهربائية أو حريق أو إصابات خطيرة.
2. امسك أداة الطاقة باستخدام أسطح ومقابض عازلة عند إجراء العملية، بحيث يتصل ملحق القطع بالسلك المخفي أو بوتره الخاص. فقد يؤدي تمزق اتصال ملحق القطع بسلك "حي" إلى جعل الأجزاء المعدنية لأداة الطاقة مكشوفة "حية" مما قد يؤدي إلى توليد صعقة كهربائية.
3. استخدم المشابك أو طريقة عملية أخرى وتأمين ودعم قطعة العمل بمنصة آمنة. إمساك قطعة العمل باليد أو عكس اتجاه جسديك يجعلها غير مستقرة وقد يؤدي إلى فقدان السيطرة.
4. ضع وتر للملحق الدوّار بشكل واضح. إذا فقدت السيطرة، قد يتم قطع الوتر أو تمزقه وقد يتم سحب يدك أو ذراعك في الملحق الدوّار.
5. استخدم دائما نظارات السلامة أو نظارات الوقاية. إن العين الطبيعية أو النظارات الشمسية ليست آمنة.
6. تجنب قطع المسامير. وافحص قطعة العمل لإزالة المسامير قبل البدء بالعمل.
7. امسك الأداة بثبات.
8. تأكد من أن أداة التطبيق ليست متصلة بقطعة العمل قبل تشغيل المفتاح.
9. أبعد يديك عن الأجزاء المتحركة.
10. لا تترك الأداة قيد التشغيل. قم بتشغيل الأداة فقط عندما تكون ممسكاً بها.
11. قم دائماً بإيقاف التشغيل وانتظر حتى تتوقف الشفرة بشكل نهائي قبل إزالتها من قطعة العمل.
12. لا تلمس الأداة أو قطعة العمل مباشرة بعد العملية؛ فقد تكون قطعة العمل ساخنة للغاية ومن الممكن أن تحرق جلدك.
13. لا تقم بتشغيل الأداة عندما يكون حمل العمل لا يستحق ذلك.
14. استخدم دائماً قناع الغبار الصحيح أو كمامة للتنفس خاصة بالمواد التي تعمل عليها.

15. تحتوي بعض المواد موادًا كيميائية قد تكون سامة. كن حذرًا لمنع استنشاق الغبار أو الاتصال بالجلد. اتبع تعليمات السلامة المقدمة من مُزوّد المواد.
16. هذه الأداة ليست مضافة للماء. لذلك لا تستخدم الماء على قطعة العمل.
17. قم بتهوية منطقة عملك بشكل مناسب عند تنفيذ عمليات الصنفرة والصلق.
18. تُستخدم هذه الأداة لصنفرة وصلق بعض المنتجات، مثل أسطح الطلاء. قد تعرّض الخشب والمعادن المستخدم والمارة للغبار الذي يحتوي على مواد خطيرة. فاستخدم أدوات التنفّس المناسبة.
19. تأكد من عدم وجود شقوق أو كسور على اللوح قبل الاستخدام. فالشقوق والكسور قد تسبب إصابات شخصية.
20. لا تستخدم الملحقات غير المصممة وغير الموصى بها من قبل الشركة المصنّعة للأداة. فلا يعني اتصال الملحق بأي أداة أنه آمن للتشغيل.
21. ارتد معدات الوقاية الشخصية، وذلك اعتمادًا على نوع التطبيق، استخدم درع الوجه ونظارات السلامة. بحسب الحاجة، ارتد أدوات حماية السمع ومززر العمل (ثوب العمل) والقفازات المناسبة القادرة على إيقاف القطع المتناثرة الصغيرة أو شظايا قطعة العمل. يجب أن تكون واقبات العين قادرة على إيقاف الحطام المتطاير والناجم عن مختلف العمليات. يجب أن يكون قناع الغبار أو جهاز التنفّس قادرًا على تنقية الجسيمات الناتجة عن العملية. قد يسبب التعرض لفترات طويلة لضوضاءٍ عاليةٍ الكثافة إلى فقدان السمع.
22. أبقِ المارة على مسافة آمنة بعيدة عن منطقة العمل. ويجب على أي شخص يدخل منطقة العمل ارتداء معدات الوقاية الشخصية. قد تطير الشظايا بعيدًا عن قطعة العمل أو قد تطير الشظايا بعيدًا بسبب كسر تباعي وتسبب الإصابة بالقرب من منطقة العمل.
23. لا تقم بوضع أداة الطاقة أبدًا إلا بعد أن يتوقّف الملحق بشكل كامل. فيمكن للملح الدوّار انتزاع السطح وسحب أداة الطاقة خارج نطاق التحكم.
24. لا تقم بتشغيل أداة الطاقة أثناء حملها على أحد جانبيك. فالاتصال العرضي مع الملحق الدوار يمكن أن يعطل ملابسك وسحب الملحق إلى جسّدك.
25. لا تقم بتشغيل أداة الطاقة بالقرب من المواد القابلة للاشتعال. فقد يُشعل الشرر تلك المواد.
26. لا تستخدم الملحقات التي تتطلب مبرّدات سائلة. فقد يؤدي استخدام الماء أو المبرّدات السائلة الأخرى إلى حدوث التماس أو صدمة كهربائية.
27. تأكد دائمًا من إيقاف تشغيل الأداة وفصلها قبل القيام بأي عمل آخر على الأداة.
28. إذا كان مكان العمل حارًا جدًا أو رطبًا أو ملوثًا بشكل سيئ بالأتربة الموصّلة، استخدم قاطع الدارات الكهربائية (30 مللي أمبير) لضمان سلامة المشغل.
29. تأكد دائمًا من وجود قاعدة ثابتة للعمل. وتأكد من عدم وجود أحدٍ في الأسفل عند استخدام الأداة في مواقع عالية.

3. المواصفات

| | |
|-----------------------------|---------------------|
| CT16004 | النموذج |
| 220-230V | التردد |
| 50/60Hz | الجهود |
| 320W | الفولتية |
| 6000-2000 min ⁻¹ | عدد سرعة التحميل |
| 8mm (1/4") | صحن الصنفرة - الصقل |
| 3.2° | معدل التذبذب |
| 1.68 | الوزن الصافي |
| 回/II | فئة الأمان |

*نظرًا لبرنامجنا المستمر في البحث والتطوير، فقد تخضع هذه المواصفات الواردة هنا للتغيير دون إشعار مسبق.
*قد تختلف المواصفات من بلدٍ إلى آخر.

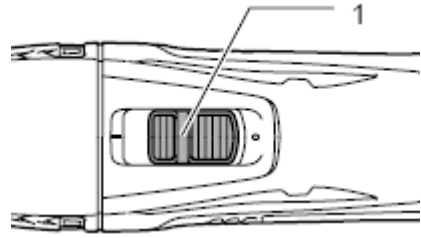
تحذير: تأكد دائماً من إيقاف تشغيل الأداة وفصلها قبل الضبط وقبل فحص وظيفة الأداة، فقد يؤدي الإخفاق في إيقاف تشغيل الأداة وفصلها إلى حدوث إصابة شخصية خطيرة بسبب بدئ التشغيل العرضي.



انتباه:

- قبل توصيل الأداة تحقق دائماً من أن مفتاح الأداة مغلق.
- لبدء تشغيل الأداة، حرك شريحة المفتاح باتجاه الموضع "I" (تشغيل).
- لإيقاف تشغيل الأداة، حرك شريحة المفتاح باتجاه الموضع "O" (إيقاف).

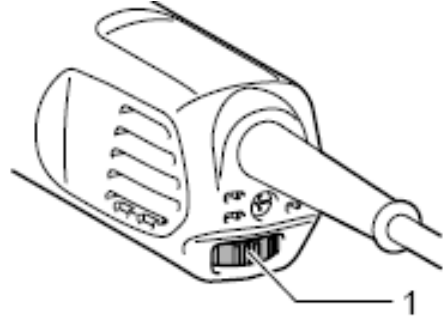
تحريك المفتاح الكهربائي



1. شريحة المفتاح

ضبط معدل السكته المدارية

معدل السكته المدارية قابل للتعديل. تغيير معدل السكته المدارية، وتحويل القرص من 1- 5. كلما ارتفع الرقم، ارتفع معدل السكته المدارية. قم مسبقاً بضبط الرقم المناسب مع قطعة العمل.



1. قرص السكته المدارية

ثابت سرعة السيطرة

قم بالتحكم في السرعة الإلكترونية للحصول على سرعة ثابتة.

يمكن الانتهاء بشكل جيد، وذلك لأن معدل السكته المدارية يبقى ثابتاً حتى عند ارتفاع ضغط حمل العمل.

التركيب:

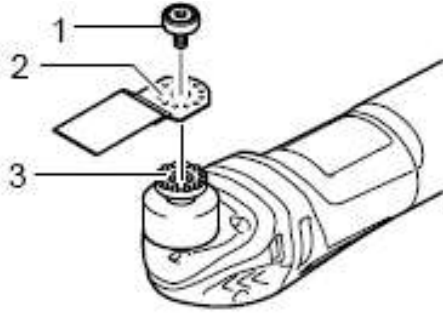
انتباه:

تأكد دائماً من إيقاف تشغيل الأداة وفصلها قبل القيام بأي عمل آخر على الأداة، مثل تثبيت أو إزالة تطبيق الأداة (ملحق اختياري).

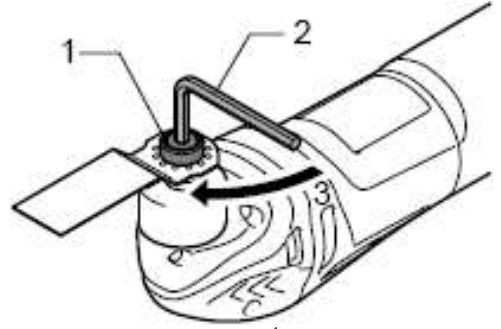
تحذير:

- لا تقم بتثبيت أداة التطبيق رأساً على عقب. تثبيت أداة التطبيق رأساً على عقب قد يؤدي إلى تلف الأداة والتسبب بإصابة شخصية خطيرة.
- قم بتثبيت أداة الملحق في الاتجاه الصحيح وفقاً لعملك. قم بتثبيت أداة التطبيق بزواوية 30 درجة.





1. برغي تثبيت أداة التطبيق.
2. ثقب خاصة بأداة التطبيق.
3. نتوءات حافة الأداة.

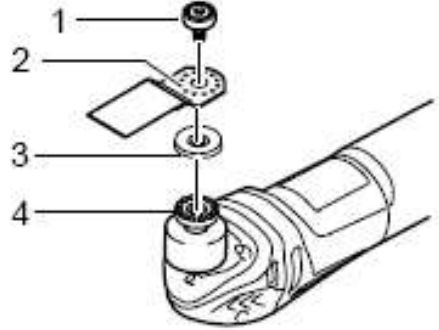


1. برغي تثبيت أداة التطبيق.
2. مفتاح البراغي.
3. الشد بإحكام.

ضع أداة التطبيق (ملحق اختياري) على حافة الأداة، بحيث تتناسب مع النتوءات في أداة التطبيق وتأمين أداة التطبيق عن طريق شد البرغي باستخدام مفتاح البراغي. عند استخدام أداة تطبيق الصقل - الصنفرة، قم بتركيب أداة التطبيق على لوح الصنفرة بحيث تتطابق مع اتجاه لوح الصنفرة. يمتلك لوح الصنفرة معلق (هوك) ونظام حلقة متطابق ليسمح بتركيب سهل وسريع لورقة الصنفرة.

تمتلك أوراق الصنفرة ثقوب لاستخراج الغبار، فقم بوضع ورقة الصنفرة بحيث تتطابق الثقوب الموجودة مع تلك الثقوب الموجودة على لوح الصنفرة. لإزالة أوراق الصنفرة، قم برفع نهايتها وخلعها. أرخي وأزل برغي تثبيت أداة التطبيق باستخدام مفتاح البراغي، ثم أخلع أداة التطبيق.

1. برغي تثبيت أداة التطبيق.
2. ثقب في أداة التطبيق.
3. المحوّل.
4. نتوءات حافة الأداة.



عند استخدام أدوات تطبيق من نوع مختلف، استخدم المحوّل الصحيح (ملحق اختياري).

التشغيل:

تحذير:

قبل البدء بتشغيل الأداة وأثناء التشغيل، احفظ يديك ووجهك بعيدًا عن أداة التطبيق.



انتباه:

لا تطبق حملاً مفرطاً على الأداة فقد يتسبب ذلك في إغلاق المحرك وإيقاف الأداة.



ضع أداة التطبيق على قطعة العمل. ثم حرك الأداة للأمام بحيث تكون حركة أداة التطبيق ثابتة لا تبطئ.

ملاحظة:

عملية الإجبار أو الضغط المفرط على الأداة يقلل من الكفاءة. قبل عملية القطع، يُوصى بالضغط المسبق لمعدل السكتة المدارية بين 3-5.



الصفرة - الصقل

انتباه:

- لا تستخدم أوراق الصفرة التي تم استخدامها مسبقاً في صقل المعدن لأجل عملية صقل الخشب.
- لا تستخدم أوراق الصفرة المهترئة، ولا أوراق الصفرة الخالية من الحبيبات.



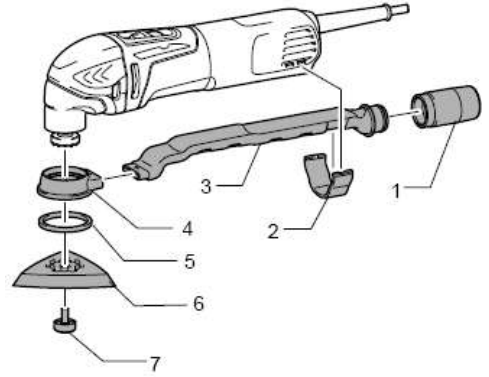
تطبيق ورقة الصفرة على قطعة العمل.

ملاحظة:

- ينصح باستخدام عينة لاختبار ومحاولة تحديد السكتة المدارية الصحيحة والمناسبة لعملك.
- ينصح باستخدام أوراق الصفرة مع نفس معدل الحبيبات حتى يتم إكمال قطعة العمل بالكامل. كما إن استخدام ورقة صفرة مختلفة في نوع الحبيبات قد لا يُنهي العمل بشكل جيد.

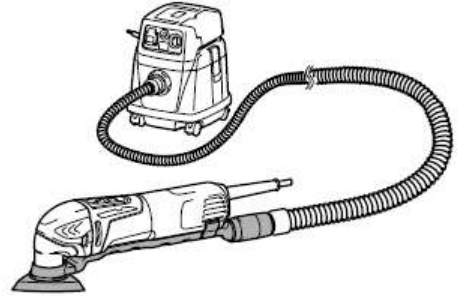


1. مفصل.
2. فوهة الرباط.
3. فوهة الغبار.
4. مرفق الغبار.
5. حلقة اللوح.
6. لوح.
7. برغي تثبيت أداة التطبيق.



- قم بتركيب المفصل وفوهة الغبار ومرفق الغبار.
- قم بتركيب فوهة الرباط على الأداة بحيث تتناسب نتوءاتها مع الثقوب الموجودة لتأمينها.
- ضع حلقة اللوح ولوح الصنفرة على مرفق الغبار ثم قم بتأمينهما باستخدام برغي تثبيت أداة التطبيق.

عندما ترغب بالقيام بأعمال التنظيف، قم بربط مكنسة كهربائية بالأداة الخاصة بك. واربط خرطوم المكنسة الكهربائية بمرفق استخراج الغبار (ملحق اختياري).



الصيانة



انتباه:

- احرص دائماً على إيقاف تشغيل الأداة وفصلها قبل محاولة إجراء الفحص أو الصيانة.
- لا تستخدم أبداً البنزين أو مرقق الدهان أو الكحول أو ما شابه ذلك، فقد يحدث ذلك تلون أو تشوه أو تشققات.
- للحفاظ على سلامة المنتج والموثوقية فإن عمليات الإصلاح أو فحص فرشاة الكربون أو استبدال القطع أو أي صيانة، يجب أن تؤديها مراكز خدمة معتمدة والتي تستخدم قطع الاستبدال.



انتباه:

- يوصى باستخدام هذه الملحقات أو المرفقات، وذلك لما هو محدد في هذا الدليل. قد يؤدي استخدام أي ملحقات أخرى إلى خطر إصابة الأشخاص.
- لا تستخدم الملحقات أو المرفقات إلا لغرضها المعلن. إذا كنت بحاجة إلى أي مساعدة والحصول على مزيد من التفاصيل حول هذه الملحقات، فاطلب المساعدة من مركز الخدمة المحلي.

| | | |
|--------------------|---------------------------|--------------------------------|
| شفرة منشار متقطعة | قاطع مشترك عام | المحول |
| شفرة منشار دائرية | مزيل HM | كاشط الورق (أسود، أبيض، أحمر). |
| شفرة منشار بلنج كت | شفرة منشار متقطعة HM | صوف (متوسط، خشن، بدون حبيبات) |
| مكشطة | صحن الصنفرة - الصقل HM | حلقة التلميع |
| مكشطة مرنة | شفرة منشار متقطعة - ماسية | مفتاح البراغي |
| شفرة مسننة متقطعة | لوح الصنفرة | مرفق استخراج الغبار |

ملاحظة:

قد يتم ضم بعض العناصر الموجودة في القائمة مع مجموعة الملحقات الأساسية في الأداة، وقد تختلف الملحقات الأساسية من بلد إلى آخر.



هشدار: تمام هشدارهای ایمنی و دستورالعمل‌ها را بخوانید. پیروی نکردن از هشدارها و دستورالعمل‌ها ممکن است منجر به شوک الکتریکی آتش سوزی و/یا آسیب جدی شود.
تمامی هشدارها و دستورالعمل‌ها را برای مراجعات بعدی نگه دارید.
اصطلاح "دستگاه برقی" در هشدارها اشاره به برق اصلی (سیم دار) دستگاه و یا باطری (بدون سیم) دستگاه برقی دارد.

1) ایمنی محل کار

الف) محیط کار را تمیز و به خوبی روشن نگه دارید. محیط کار به هم ریخته و یا تاریک باعث ایجاد حادثه خواهد شد.
ب) دستگاه برقی را در محیط‌های قابل انفجار مانند وجود مایعات، گازها یا گرد و غبارهای قابل اشتعال استفاده نکنید. دستگاه برقی جرقه ایجاد می‌کند که ممکن است باعث آتش گرفتن گرد و غبار و یا گاز شود.
ج) کودکان و ناظران را هنگامی که دستگاه روشن است دور نگه دارید. حواس پرتی می‌تواند باعث شود شما کنترل دستگاه را از دست بدهید.

2. ایمنی الکتریکی

الف) دو شاخه دستگاه برقی باید با پریز مطابقت داشته باشد. به هیچ وجه دو شاخه را تغییر ندهید. از هیچ دو شاخه آداپتوری که به دستگاه برقی زمین شده متصل است استفاده نکنید. دو شاخه تغیر داده نشده، و تطبیق پریزها خطر شوک الکتریکی را کاهش می‌دهد.
ب) از تماس بدن با سطوح زمین شده مانند لوله‌ها، رادیاتور، محدوده و یخچال‌ها اجتناب کنید. خطر شوک الکتریکی اگر بدن شما به ارت متصل شود افزایش خواهد یافت.
ج) وسیله برقی را در معرض باران و شرایط مرطوب قرار ندهید. ورود آب به دستگاه برقی، خطر شوک الکتریکی را افزایش می‌دهد.
د) هرگز از سیم به طور نامناسب استفاده نکنید. هرگز از سیم برای حمل، کشیدن یا از دو شاخه در آوردن دستگاه برقی استفاده نکنید. سیم را به دور از گرما و روغن و لبه‌های تیز و یا قطعات متحرک نگه دارید. سیم‌های آسیب دیده یا در هم پیچیده خطر شوک الکتریکی را افزایش می‌دهند.
ه) زمانی که دستگاه برقی را در خارج از منزل روشن می‌کنید، از یک سیم رابط مناسب برای استفاده در فضای باز استفاده کنید. استفاده از یک سیم مناسب در فضای باز خطر شوک الکتریکی را کاهش می‌دهد.
و) چون که استفاده از دستگاه برقی در محیط مرطوب اجتناب ناپذیر است، از یک دستگاه (RCD) حفاظت کننده منبع جریان باقی مانده استفاده کنید. استفاده از RCD خطر شوک الکتریکی را کاهش می‌دهد. به یاد داشته باشید دستگاه جریان باقی مانده RCD ممکن است با اصطلاح مدار قطع کننده مدار زمین (GFCI)، و یا مدار قطع کننده نشستی زمین (ELCB) جایگزین شود.

3) ایمنی شخصی

الف) هشدارهای باقی بمانید و مراقب آنچه انجام می‌دهید باشید و هنگام استفاده از دستگاه از عقل سلیم استفاده کنید. در حالی که خسته هستید و یا تحت تأثیر مواد مخدر و الکل و یا دارو هستید از دستگاه استفاده نکنید. یک لحظه بی توجهی هنگامی که دستگاه برقی روشن است ممکن است باعث آسیب جدی شخصی شود.
ب) از تجهیزات حفاظت شخصی استفاده کنید. همیشه محافظ چشم بپوشید. تجهیزات حفاظتی مانند ماسک گرد و غبار، کفش ایمنی غیر لغزشی، کلاه سخت و یا محافظ شنوای استفاده کنید. چرا که شرایط مناسب باعث کاهش آسیب‌های شخصی خواهد شد.
ج) از روشن کردن ناگهانی دستگاه خودداری کنید. اطمینان حاصل کنید که سوییچ قبل از اتصال به منبع قدرت

و/یا باتری و یا هنگام حمل دستگاه در موقعیت خاموش قرار داشته باشد. حمل کردن، دستگاه برقی هنگامی که انگشت شما بر روی سوئیچ یا تقویت کننده دستگاه برقی است ممکن است باعث ایجاد حادثه شود.

د) هر گونه کلید تنظیم کننده و یا آچار را قبل از روشن کردن دستگاه برقی را بردارید، آچار و یا کلید باقی مانده متصل به بخش چرخشی دستگاه برقی ممکن است منجر به صدمه شخصی شود.

ه) بیش از خود را نکشید. در تمام مدت جای پایتان را درست کنید و تعادل داشته باشید. این شما را قادر می سازد که کنترل بهتری از دستگاه برقی در شرایط غیر منتظره داشته باشید

و) لباس مناسب بپوشید. لباس های گشاد و یا جواهرات و اشیای قیمتی نپوشید. موهای خود، لباس و دستکش تان را از قطعات متحرک دور نگه دارید. لباس های گشاد، جواهرات و اشیای قیمتی و یا موی بلند می تواند در قطعات متحرک گیر کند.

ز) اگر دستگاه ه ای را برای استخراج گرد و غبار و مجموعه امکانات متصل کردید، اطمینان حاصل کنید که به هم متصل هستند و به درستی مورد استفاده قرار گیرند. استفاده از جمع کننده گرد و غبار می تواند خطرات مربوط به گرد و غبار را کاهش دهد.

ح) اجازه ندهید آشن ای حاصل از استفاده مکرر از دستگاه باعث رضایت و چشم پوشی شما از اصول ایمنی شود. یک عمل بی دقتی می تواند باعث آسیب شدیدی در کسری از ثانیه شود.

4) استفاده و مراقبت از دستگاه برقی

الف) از دستگاه برقی به زور استفاده نکنید. برای کار خود از دستگاه برقی صحیح استفاده کنید. دستگاه برقی مناسب کار بهتر و امن تری را به ما ارائه می دهد.

ب) اگر سوئیچ نمی تواند دستگاه را روشن و خاموش کند از دستگاه برقی استفاده نکنید. هر دستگاه برقی که نمی توان با سوئیچ آن را کنترل کرد خطرناک است و باید بازسازی شود.

ج) قبل از هر گونه تنظیمات، تغییر لوازم جانبی و یا انبار کردن دستگاه برقی دو شاخه را از منبع برق و یا باطری قطع کنید. اینگونه اقدامات ایمنی پیشگیرانه باعث کاهش خطرات هنگام روشن شدن دستگاه می شود.

د) دستگاه برقی را دور از دسترس کودکان انبار کنید و اجازه ندهید که افراد نا آشنا با دستگاه برقی و یا این دستورالعمل ها با دستگاه کار کنند. دستگاه برقی در دست کاربران آموزش ندیده خطرناک است.

ه) محافظت از دستگاه برقی. دستگاه را برای انحرافات و یا اتصالات قطعات متحرک شکستگی قطعات و یا هر شرایط دیگری که ممکن است بر دستگاه برقی تاثیر بگذارد بررسی کنید. اگر دستگاه آسیب دیده باید قبل از استفاده باید تعمیر شود. بسیاری از حوادث ناشی از ضعف در نگهداری دستگاه برقی است.

و) ابزار برش را تیز و تمیز نگه دارید. دستگاه برقی که ابزار برش آن را با لبه های تیز به درستی نگهداری می شود، باعث کنترل آسان تر دستگاه می شود.

ز) از دستگاه برقی و لوازم جانبی و ابزار آن ، مطابق با این دستورالعمل ها و با در نظر گرفتن شرایط کار استفاده کنید. استفاده از دستگاه برقی برای انجام عملیات های متفاوتی که برای دستگاه در نظر گرفته شده می تواند منجر به یک وضعیت خطرناک شود.

ح) دستگیره و سطوح را خشک و تمیز و عاری از روغن و گریس نگه دارید. دستگیره و سطوح لغزنده و اجازه کنترل دستگاه در موقعیت های غیر منتظره را نمی دهد.

5) خدمات

الف) دستگاه برقی خود را توسط یک فرد واجد شرایط که تنها با استفاده قطعات یدکی یکسان تعمیر کند سرویس کنید. این به شما اطمینان خواهد داد که ایمنی دستگاه برقی حفظ می شود.

1. این دستگاه برقی برای اره کردن، برش، سنگ زنی و سنباده در نظر گرفته شده است. تمام هشدارهای ایمنی، دستورالعمل، تصاویر و مشخصات ارائه شده با این دستگاه برقی را بخوانید. پیروی نکردن تمام دستورالعمل های ذکر شده در زیر ممکن است منجر به شوک الکتریکی و آتش سوزی و/یا آسیب جدی شود.
2. در هنگام انجام یک عملیات که در آن لوازم جانبی برش ممکن است تماس های مخفی با سیم کشی و یا خود سیم داشته باشد سطوح دستگاه برقی را عایق کنید. تماس لوازم جانبی برش با یک سیم ممکن است باعث در معرض قرار گرفتن قطعات فلزی شود و می تواند باعث شوک الکتریکی اپراتور شود.
3. از گیره و یا دیگر راه های عملی برای تضمین و حمایت از قطعه کار در یک پلنفرم پایدار استفاده کنید. گرفتن کار با دست و یا در مقابل بدن خود دادن قرار دادن آن ناپایدار است و ممکن است منجر به از دست دادن کنترل شود.
4. موقعیت سیم و لوازم جانبی چرخشی مشخص باشد. اگر شما کنترل را از دست دادید سیم ممکن است قطع و یا جدا شده باشد و دست یا بازوی شما ممکن است به سمت لوازم جانبی چرخشی کشیده شود.
5. همیشه از عینک های ایمنی استفاده کنید. چشم غیر مسلح و یا عینک آفتابی های معمولی عینک ایمنی نیستند.
6. از بریده شدن میخ جلوگیری کنید. قطعه کار برای بررسی کنید هر گونه میخ را قبل از عملیات حذف کنید.
7. دستگاه را محکم نگه دارید.
8. مطمئن شوید که ابزار کاربردی قبل از روشن شدن سوییچ با قطعه کار تماس نداشته باشد.
9. دست ها را از قطعات متحرک دور نگه دارید.
10. دستگاه را هنگامی که روشن است رها نکنید. تنها زمانی که دستگاه در دستتان است آن را روشن کنید.
11. همیشه دستگاه را خاموش کرده و منتظر باشید که تیغه ها کاملاً متوقف شوند و سپس تیغه را از قطعه کار جدا کنید.
12. بلافاصله بعد از اتمام ابزار و یا قطعه کار را لمس نکنید؛ آنها ممکن است بسیار داغ باشند و می توانند پوست شما را بسوزانند.
13. دستگاه را وقتی که ضرورتی وجود ندارد روشن نکنید.
14. هنگام استفاده از دستگاه همیشه از ماسک مناسب گرد و غبار استفاده کنید.
15. برخی از مواد شامل مواد شیمی ای هستند که ممکن است سمی باشند. برای جلوگیری از استنشاق گرد و غبار و تماس آنها با پوست مراقبت کنید. از داده های تامین کننده مواد ایمنی پیروی کنید.
16. این دستگاه ضد آب نیست بنابراین از آب در سطح قطعه کار استفاده نکنید.
17. هنگامی که شما در حال انجام عملیات سنباده کردن هستید تهویه محل کار خود را به اندازه کافی تنظیم کنید.
18. استفاده از این دستگاه برای سنباده کردن برخی از محصولات، مانند سطوح سربی رنگ، چوب و فلزات می تواند کاربر و رهگذران را در معرض گرد و غبار حاوی مواد خطرناک قرار دهد. از محافظ های تنفسی مناسب استفاده کنید.
19. قبل از استفاده از پد مطمئن باشید که هیچ ترک یا شکستگی بر روی آن وجود نداشته باشد. ترک و یا شکستگی ممکن است باعث صدمه شخصی شود.
20. از لوازم جانبی که به طور خاص توسط سازنده طراحی نشده و توصیه نشده استفاده نکنید. فقط به خاطر این که لوازم جانبی می تواند به دستگاه شما متصل شود عملکرد ایمن آن را تضمین نمی کند.
21. تجهیزات حفاظت شخصی بپوشید. بسته به نوع کاربرد از محافظ صورت، عینک ایمنی استفاده کنید. همچنین از محافظ شنوای و دستکش و پیش بندی که مانع از ریختن قطعات کوچک س ایده شده قطعه کار شود استفاده کنید. محافظ چشم باید قادر به توقف حرکت قطعات تولید شده توسط عملیات های مختلف شود. ماسک باید قادر به فیلتر کردن ذرات تولید شده توسط عملیات باشد. قرار گرفتن در معرض طولانی و شدت بالای سر و

صدا ممکن است باعث از دست رفتن شنو ای شود.

22. ناظران را در یک فاصله امن، دور از محل کار نگه دارید. هر کسی که وارد منطقه کار می شود باید تجهیزات حفاظت شخصی بپوشد. قطعات قطعه کار و یا شکسته های لوازم جانبی ممکن است در هوا شناور شده و باعث آسیب شود.

23. هرگز دستگاه برقی را تا توقف کامل لوازم جانبی پ این نگذارید. لوازم جانبی چرخشی ممکن است به سطح برخورد کند و کنترل دستگاه از دست شما خارج شود.

24. هنگام حمل دستگاه در کنار خود ان را روشن نکنید. تماس ناگهانی با لوازم جانبی می تواند باعث کشیده شدن لباس شما و برخورد لوازم جانبی به بدن شما شود.

25. از روشن کردن دستگاه در نزدیکی مواد قابل اشتعال خودداری کنید. جرقه می تواند باعث آتش گرفتن این مواد شود.

26. از لوازم جانبی که نیاز به مایع خنک کننده دارد استفاده نکنید. استفاده از آب یا دیگر مایعات سردکننده می تواند باعث برق گرفتگی یا شوک شود.

27. همیشه مطمئن شوید که قبل از خارج شدن هر ابزاری دستگاه خاموش باشد و از پریز کشیده شده باشد.

28. اگر محل کار بسیار گرم و مرطوب و یا به شدت آلوده به گرد و غبار رسانی باشد از یک شکننده مدار کوتاه (30 میلی آمپر) برای اطمینان از ایمنی اپراتور استفاده کنید.

29. همیشه مطمئن شوید که در جای مناسبی ایستاده اید. مطمئن شوید که در هنگام استفاده از دستگاه در ارتفاع هیچ کس زیر ان نباشد.

3. مشخصات

| | |
|----------------------|------------------------|
| مدل | CT16004 |
| ولتاژ | 230-220 ولت AC |
| فرکانس | 60/50 هرتز |
| فرکانس مجاز | 320W |
| سرعت خالی شدن | 20000-6000 تا در دقیقه |
| صفحه سنباده | 80 میلیمتر |
| میزان نوسان خالی شدن | 3.2 درجه |
| وزن خالص | 1.68 |
| سطح ایمنی | II/II |

* با توجه به ادامه تحقیقات و توسعه این مشخصات در اینجا ممکن است بدون اطلاع قبلی تغییر کنند.
* مشخصات ممکن است از کشوری به کشور دیگر متفاوت باشد.

4. شرح کاربردی

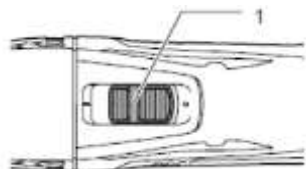


هشدار: همیشه قبل از تنظیم کردن یا چک کردن عملکرد دستگاه مطمئن شوید که دستگاه خاموش است و از پریز کشیده شده است. عدم خاموش کردن دستگاه یا از پریز کشیدن دستگاه ممکن است باعث آسیب جدی شخصی شود.

قبل از به پریز زدن دستگاه همیشه چک کنید که سوییچ دستگاه خاموش است.

برای روشن کردن دستگاه، سوییچ کناری را به سمت وضعیت روشن قرار دهید.

برای خاموش کردن دستگاه، سوییچ کناری را به سمت وضعیت خاموش قرار دهید.



1. سوییچ لغزشی

تنظیم میزان چرخش ضربه ای

میزان چرخش ضربه ای قابل تنظیم است. برای تغییر میزان چرخش ضربه ای دکمه را بین 1 و 5 بچرخانید. هرچه شماره بالاتر باشد میزان چرخش ضربه ای بالاتر است. دکمه را روی عدد مناسب برای قطعه کار خود قرار دهید.

به یاد داشته باشید:

دکمه نمی تواند مستقیماً از 1 به سمت 5 و یا از 5 به سمت 1 برود. فشار دادن دکمه ممکن است باعث آسیب دیدن دستگاه شود. وقتی وضعیت دکمه را تغییر می دهید همیشه دکمه را از طریق شماره های بینابینی تغییر دهید.



1. کد نیدگ بری شماره

کنترل سرعت ثابت

کنترل سرعت الکترونیکی برای به دست آوردن سرعت چرخش ثابت است.

سعی کنید به میزان مناسبی برسید چون میزان چرخش ضربه ای ثابت نگه داشته می شود حتی تحت شرایط کنترل شده.

مونتاز

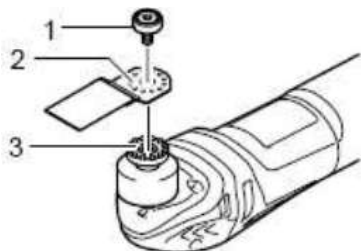
هشدار:

قبل از انجام هر کاری بر روی دستگاه همیشه مطمئن شوید که دستگاه خاموش است و از پریز بیرون آورده شده است. نصب و یا حذف برنامه های کاربردی (لوازم جانبی اختیاری)

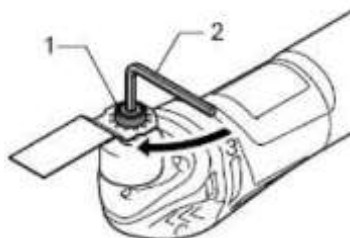
هشدار:

ابزار کاربردی را وارونه نصب نکنید. نصب وارونه ابزار کاربردی ممکن است باعث آسیب دیدن دستگاه و آسیب جدی شخص شود.

ابزار را در جهت صحیح و با توجه به کار خودتان نصب کنید. ابزار کاربردی را می توان در یک زاویه از هر 30 درجه نصب کرد.



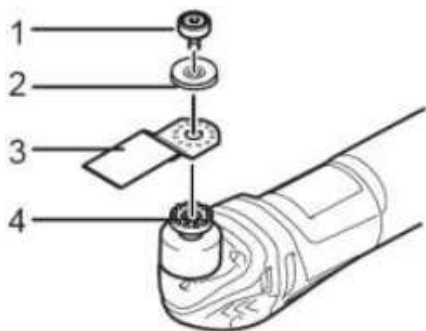
1. پیچ تنظیم ابزار کاربردی
2. حفره های ابزار کاربردی
3. جلو آمدگی فلانج ابزار



1. پیچ تنظیم ابزار کاربردی
2. آچار
3. پیچ کردن

یک ابزار کاربردی (لوازم جانبی اختیاری) را روی لبه دستگاه قرار دهید به طوری که جلو آمدگی لبه دستگاه مناسب حفره های ابزار کاربردی باشد و ابزار را برای امنیت با آچار محکم کنید. وقتی از ابزار کاربردی سنبلاده استفاده می کنید ابزار را بالا ببرید روی پشتی سنبلاده بالا ببرید تا با جهت پشتی سنبلاده تنظیم شود. پشتی سنبلاده دارای نوعی سیستم قلاب و حلقه است که اجازه می دهد تا آسان و سریع اتصالات به یک کاغذ سنبلاده متصل شوند.

همانطور که کاغذ سنبلاده دارای حفره ای برای خروج گرد و خاک است. کاغذ سنبلاده را بالا ببرید تا با حفره های روی پشتی سنبلاده تنظیم شود. برای جدا کردن کاغذ سنبلاده انتهایش را بالا ببرید و آن را جدا کنید. برای شل و جدا کردن پیچ تنظیم از آچار استفاده کنید و ابزار کاربردی را جدا کنید.



1. پیچ تنظیم ابزار کاربردی
2. حفره های ابزار کاربردی
3. آداپتور
4. جلو آمدگی فلانچ ابزار

وقتی که از ابزار کاربردی با نوع متفاوت بخش نصب استفاده می کنید از آداپتور صحیح استفاده کنید. (لوازم جانبی اختیاری)

عملکرد

هشدار:

قبل از روشن کردن دستگاه و در طول عملیات دست و صورت خود را دور از ابزار کاربردی نگه دارید.

هشدار:

اعمال بار بیش از حد به دستگاه ممکن است باعث قفل موتور و توقف دستگاه شود.





ابزار کاربردی را روی قطعه کار قرار دهید و سپس دستگاه را به سمت جلو هل داده تا سرعت عملکرد دستگاه تحلیل نرود. به یاد داشته باشید:

اجبار و یا فشار بیش از حد ممکن است باعث کاهش عملکرد دستگاه شود. قبل از عملیات برش توصیه می شود که میزان چرخش ضربه ای را روی 3 تا 5 قرار دهید.

سنباده زنی



مراقب باشید:

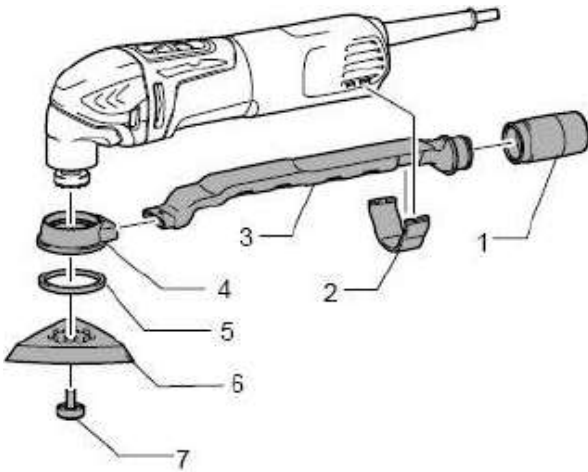
از کاغذ سنباده که برای سنباده کردن آهن استفاده شده است برای سنباده کردن چوب استفاده نکنید. از سنگ سنباده بدون شن استفاده نکنید.



یک کاغذ سنباده روی قطعه کار قرار دهید. به یاد داشته باشید:

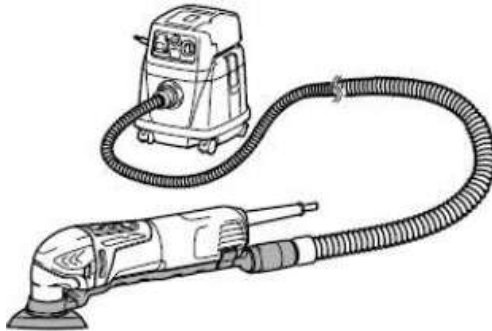
- توصیه می شود از یک نمونه امتحانی که مناسب کار شماست استفاده کنید.
- تا هنگامی که سنباده کردن قطعه کار تمام شود از یک کاغذ سنباده با شن متفاوت استفاده کنید

5. اتصالات خروج گرد و خاک (لوازم جانبی اختیاری)



1. اتصالات
2. نوار نازل
3. نازل گرد و خاک
4. اتصالات گرد و خاک
5. حلقه نمدی
6. پد
7. پیچ تنظیم ابزار کاربردی

- اتصالات، نازل گرد و خاک و اتصالات گرد و خاک را نصب کنید.
- نوار نازل را روی دستگاه طوری نصب کنید که برآمدگی های آن روی حفره های دستگاه قرار بگیرد.
- حلقه نمدی و پشته سنباده را روی اتصالات گرد و خاک قرار دهید و سپس آنها را با پیچ تنظیم ابزار کاربردی محکم کنید.



زمانی که شما مایل به انجام عملیات پاکسازی هستید یک جارو برقی را به دستگاه خود متصل کنید. شلنگ جاروبرقی را به اتصالات استخراج کننده گرد و غبار متصل کنید (لوازم جانبی اختیاری).
مراقب باشید:

تعمیرات



- همیشه قبل از انجام هر گونه عملیات برای نگهداری و بازرسی دستگاه را خاموش کنید یا از پریز بیرون بیاورید.
- هرگز از گازولین، بنزین، تینر و یا الکل و امثال ان ها استفاده نکنید. ممکن است باعث تغییر رنگ و تغییر شکل یا ترک خوردگی شود. برای حفظ ایمنی و پای ای محصول تعمیرات برس کربنی و یا هر گونه تعمیر و نگهداری و تنظیم باید توسط مراکز مجاز و با استفاده از قطعات جایگزینی مناسب انجام شود.

تجهیزات جانبی اختیاری

- **مراقب باشید:** این لوازم جانبی یا اتصالات برای استفاده شما در این راهنما استفاده توصیه می شود.



استفاده از هر گونه لوازم جانبی و یا اتصالات دیگر ممکن است باعث آسیب به افراد شود. فقط از لوازم جانبی یا اتصالات مناسب استفاده کنید. اگر برای این لوازم به کمکی نیاز داشتید از نماینده فروش خود بپرسید.

| | | |
|------------------------------------|--------------------------|--------------------------|
| آداپتور | برش دهنده اتصال کلی | بخش تیغه اره |
| کاغذ سه گوش سایشی (قرمز/سفید/مشکی) | جدا کننده hm | تیغه اره حلقه ای |
| پشم سه گوش (متوسط/ سخت/ بدون شن) | جدا کننده تیغه اره | برش عمیق تیغه اره |
| نمد سه گوش تمیزکننده | صفحه سنباده hm | خراش دهنده(سخت) |
| آچار | تیغه اره جدا کننده الماس | خراش دهنده (انعطاف پذیر) |
| اتصالات خروجی گرد و خاک | پشته سنباده | تیغه دنداندار |

به یاد داشته باشید:

- برخی از موارد موجود در این لیست ممکن است در بسته ابزار لوازم جانبی استاندارد باشند. آنها ممکن است از کشوری به کشور دیگر متفاوت باشد.